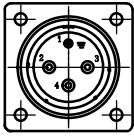
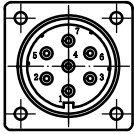


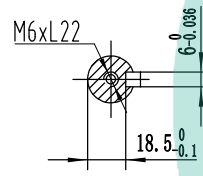
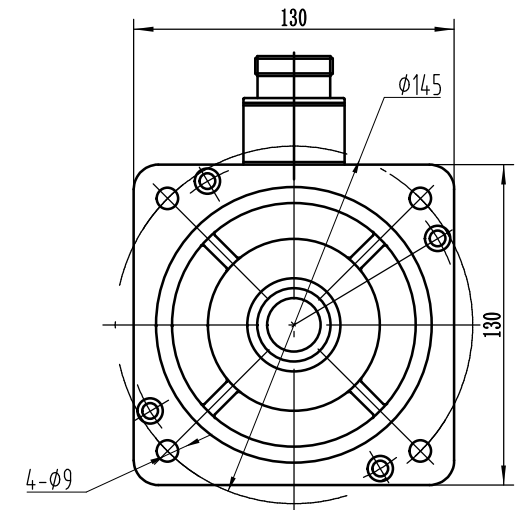
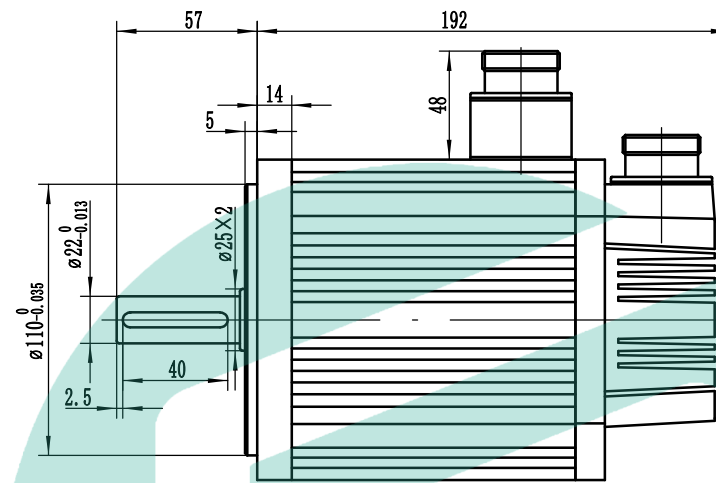
Motor Power Connector



Absolute Encoder Connector



Brake Connector



Rated Voltage	220	VAC
Rated Power	1.60	KW
Rated Torque	7.7	N.m
MAX Torque	22	N.M
Rated Speed	2000	RPM
Max Speed	2400	RPM
Rated Current	6	A
Max Current	18.5	A
Line back EMF constant	78±10%	V/KRPM
Line Resistance	1.38±10%	Ω
Line inductance	4.5±10%	mH
Rator Inertia	15.3±10%	x10 <sup>4</sup> kg.m <sup>2</sup>
Pole Pairs	4	pairs
Motor Insulation Class	Class F	
Motor Protection Class	IP65	

PIN	1	2	3	4
Signal	PE	U	V	W

PIN	1	2	3	4	5	6	7
Signal	PE	E-	E+	SD-	0V	SD+	5V

PIN	1	2	3
Signal	24V	/	/

ECMA-E21315PS