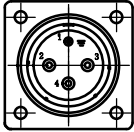
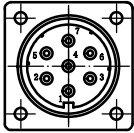


Motor Power Connector



Power connector wiring sequence				
PIN	1	2	3	4
Signal	PE	U	V	W

Absolute Encoder Connector

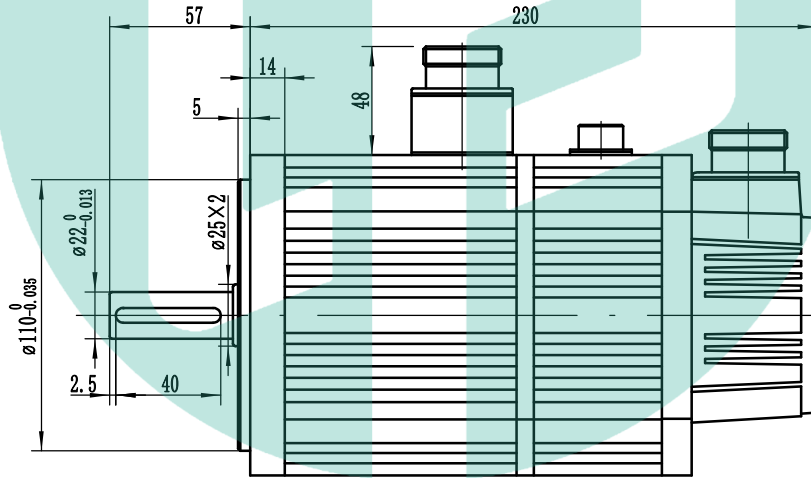
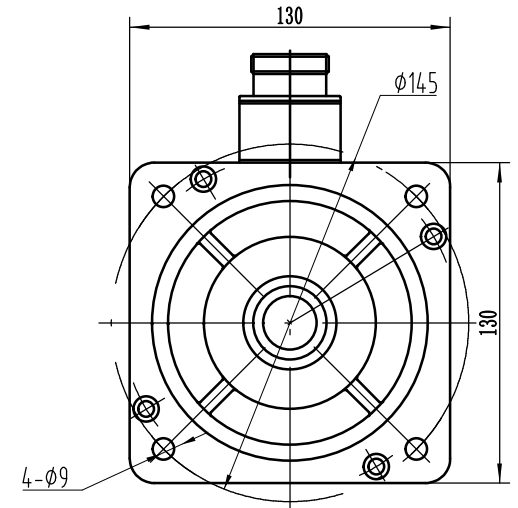
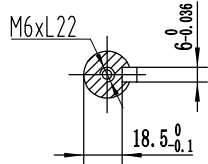


17 bit incremental encoder connector wiring Definition							
PIN	1	2	3	4	5	6	7
Signal	PE	E-	E+	SD-	0V	SD+	5V

Brake Connector



Brake Wiring Definition			
PIN	1	2	3
Signal	24V	/	/



Rated Voltage	220	VAC
Rated Power	1.00	KW
Rated Torque	5	N.m
MAX Torque	15	N.M
Rated Speed	2000	RPM
Max Speed	2400	RPM
Rated Current	4	A
Max Current	12	A
Line back EMF constant	73±10%	V/KRPM
Line Resistance	2.2±10%	Ω
Line inductance	6.79±10%	mH
Rotor Inertia	10.6±10%	x10 <sup>4</sup> kg.m <sup>2</sup>
Pole Pairs	4	pairs
Motor Insulation Class	Class F	
Motor Protection Class	IP65	

CNC PARTS

ECMA-E21310BS