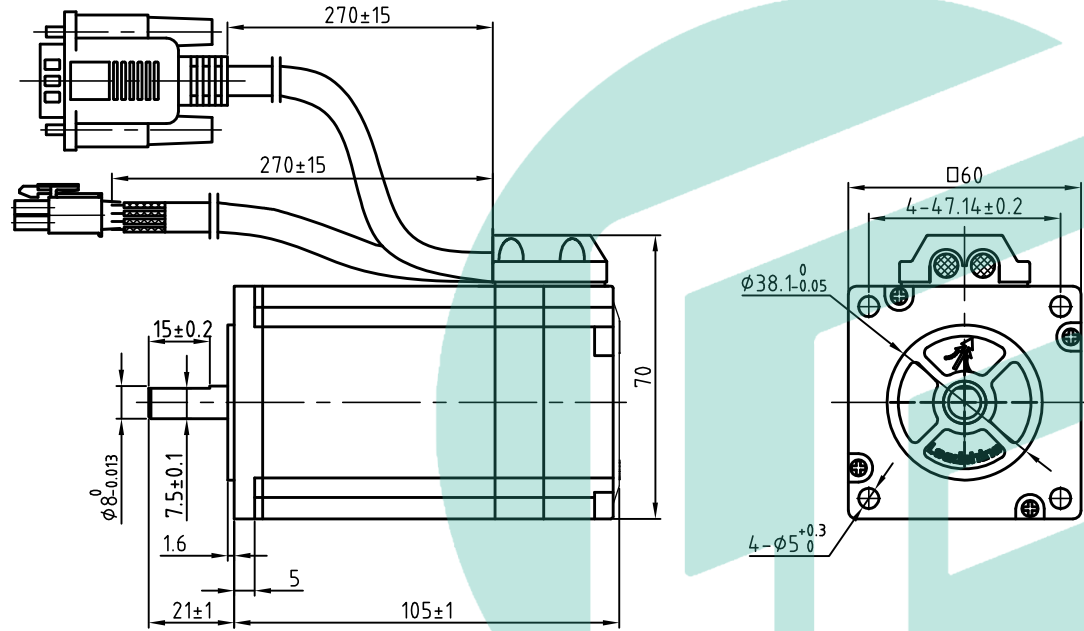
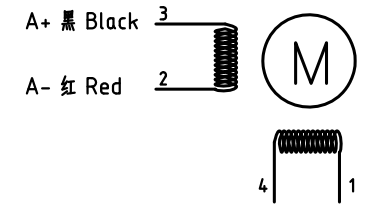
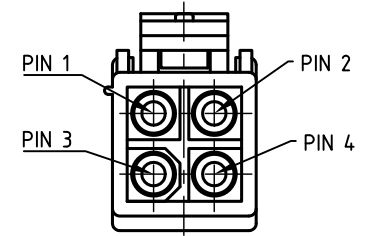


版本 Rev.	日期 Date	变更文件号 ECN NO.	变更内容 Revisions	设计 By
V1.0	17.05.02		初版	王洪松
	7.09.22			Max

Dimension: (Unit: mm)



Motor Connctions:



B+ 黄 Yellow B- 绿 Green

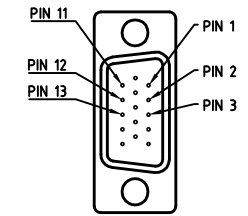
Common Rating

Step angle	1.8°
Position accuracy	1.8±0.09°
Dielectric strength	500VAC 1min
Insulation resistance	100MΩ(500VDC)
Insulation class	B
Temp rise(Max)	80K
Radial play	Max.0.02mm(Load 450g)
Axial play	Max.0.08mm(Load 900g)

Specification:

Current/phase	5.0 A
Voltage	2 V
DC Resistance/phase ±10%	0.4 Ω
Inductance/phase ±20%	1.8mH
Holding torque	3.1 N·M
Inertia	0.84 kg·cm ²
Weight	1.6 kg
Encoder resolution	1000 cpr

Encoder Signals



PIN	1	2	3	11	12	13
Color	BLK	RED	WHT	YEL	GRN	BLU
Define	A+	VCC	GND	B+	B-	A-

CNC PARTS