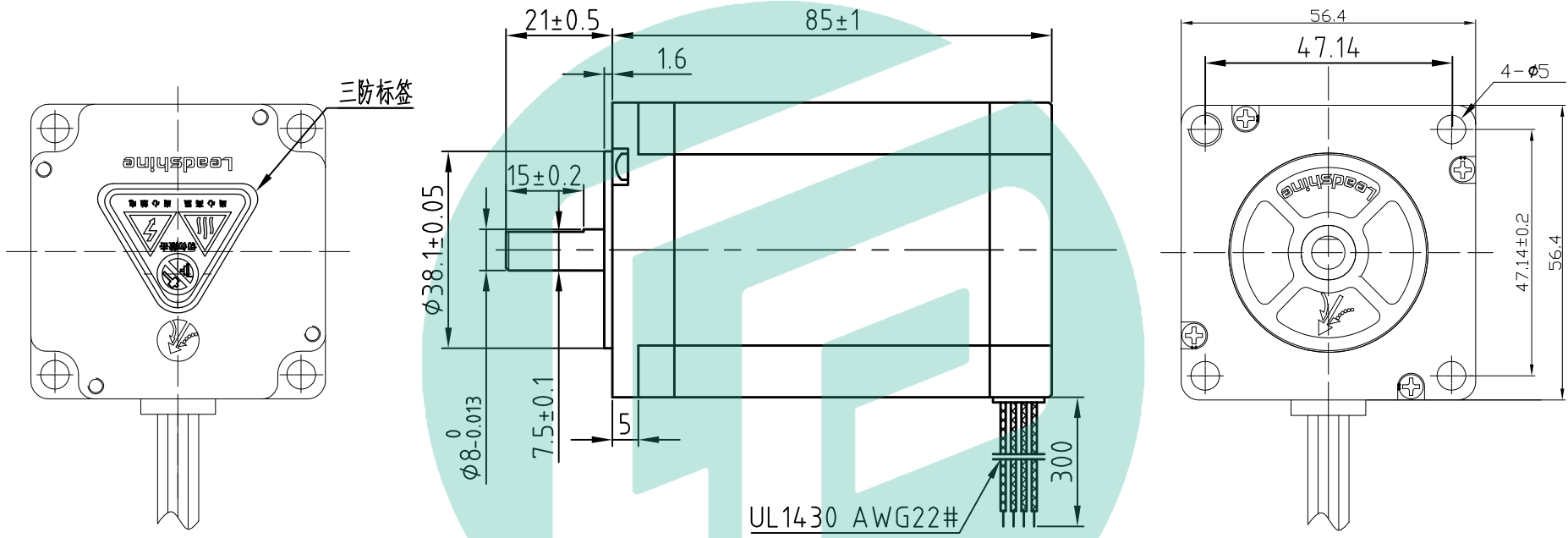


版本 Rev.	日期 Date	变更文件号 ECN NO.	变更内容 Revisions	设计 By
V1.0	17.04.24		初版	王洪松

Dimension: (Unit: mm)



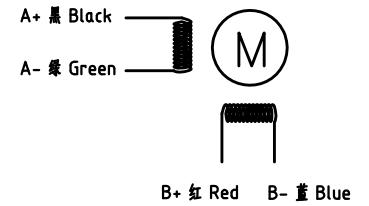
**Common Rating**

Step angle	1.8°
Position accuracy	1.8±0.9°
Dielectric strength	500VAC 1min
Insulation resistance	100M $\Omega$ m(500VDC)
Insulation class	B
Temp rise(Max)	80K
Radial play	Max.0.02mm(Load 450g)
Axial play	Max.0.08mm(Load 900g)

**Specification:**

Current/phase	5.0 A
Voltage	2.2 V
DC Resistance/phase $\pm 10\%$	0.44 $\Omega$
Inductance/phase $\pm 20\%$	2.0 mH
Holding torque	2.6 N·M
Detent torque	0.068 N·M
Inertia	0.52 kg·cm <sup>2</sup>
Weight	1.4 kg

**Motor Connctions:**



CNC PARTS