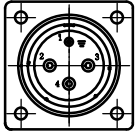
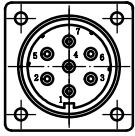


Motor Power Connector



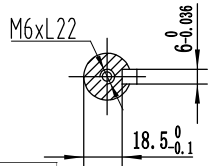
Power connector wiring sequence					
PIN	1	2	3	4	
Signal	PE	U	V	W	

Absolute Encoder Connector

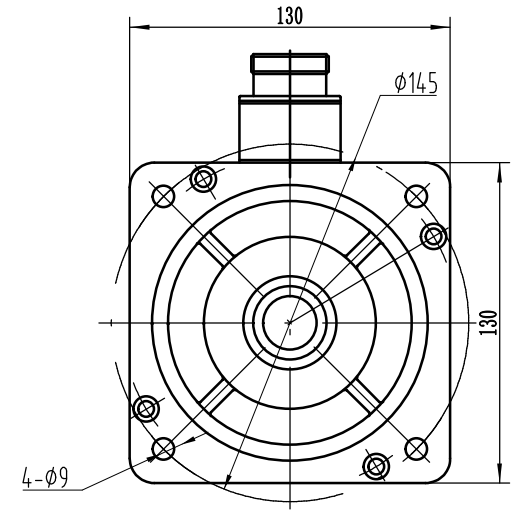
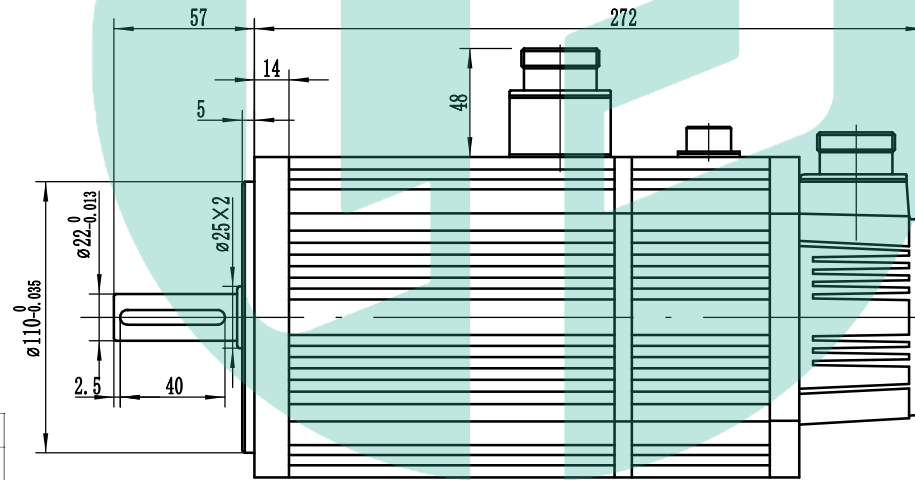


17 bit incremental encoder connector wiring Definition								
PIN	1	2	3	4	5	6	7	
Signal	PE	E-	E+	SD-	0V	SD+	5V	

Brake Connector



Brake Wiring Definition			
PIN	1	2	3
Signal	24V		/



Rated Voltage	220	VAC
Rated Power	2.00	KW
Rated Torque	10	N.m
MAX Torque	30	N.M
Rated Speed	2000	RPM
Max Speed	2400	RPM
Rated Current	8	A
Max Current	24	A
Line back EMF constant	77±10%	V/KRPM
Line Resistance	0.93±10%	Ω
Line inductance	3.4±10%	mH
Rator Inertia	19.4±10%	x10 ⁴ kg.m ²
Pole Pairs	4	pairs
Motor Insulation Class	Class F	
Motor Protection Class	IP65	

ECMA-E21320BS