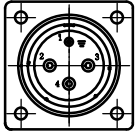
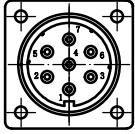


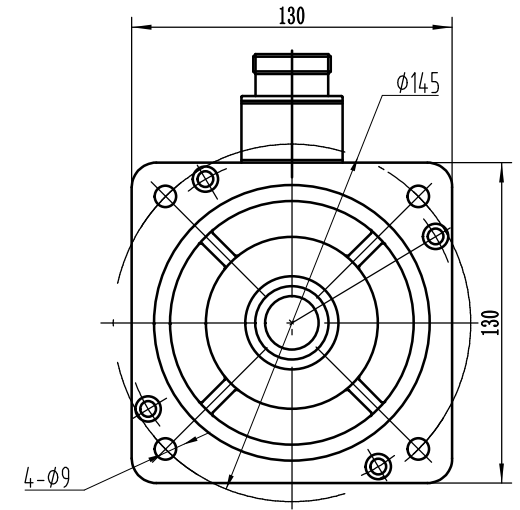
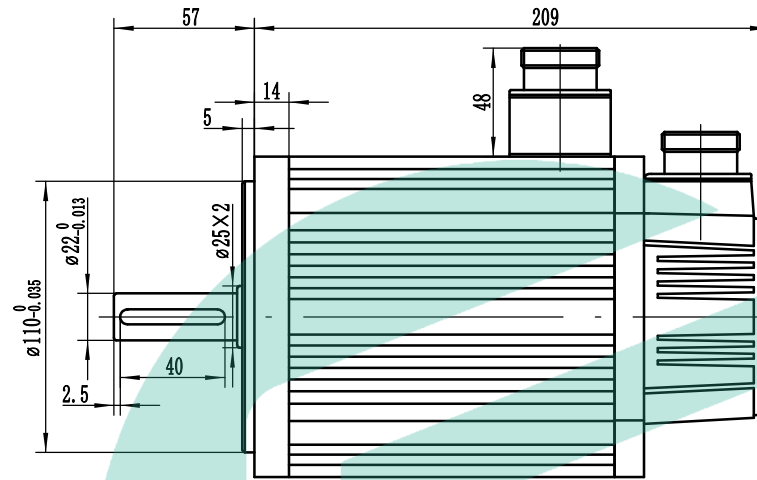
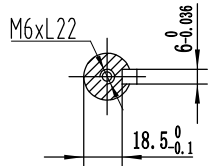
Motor Power Connector



Absolute Encoder Connector



Brake Connector



Rated Voltage	220	VAC
Rated Power	2.00	KW
Rated Torque	10	N.m
MAX Torque	30	N.M
Rated Speed	2000	RPM
Max Speed	2400	RPM
Rated Current	8	A
Max Current	24	A
Line back EMF constant	77±10%	V/KRPM
Line Resistance	0.93±10%	Ω
Line inductance	3.4±10%	mH
Rotor Inertia	19.4±10%	x10 <sup>4</sup> kg.m <sup>2</sup>
Pole Pairs	4	pairs
Motor Insulation Class	Class F	
Motor Protection Class	IP65	

17 bit incremental encoder connector wiring Definition							
PIN	1	2	3	4	5	6	7
Signal	PE	E-	E+	SD-	0V	SD+	5V

Power connector wiring sequence				
PIN	1	2	3	4
Signal	PE	U	V	W

Brake Wiring Definition			
PIN	1	2	3
Signal	24V		/

ECMA-E21320PS