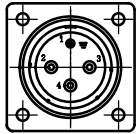
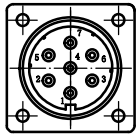


Motor Power Connector



Power connector wiring sequence				
PIN	1	2	3	4
Signal	PE	U	V	W

Absolute Encoder Connector

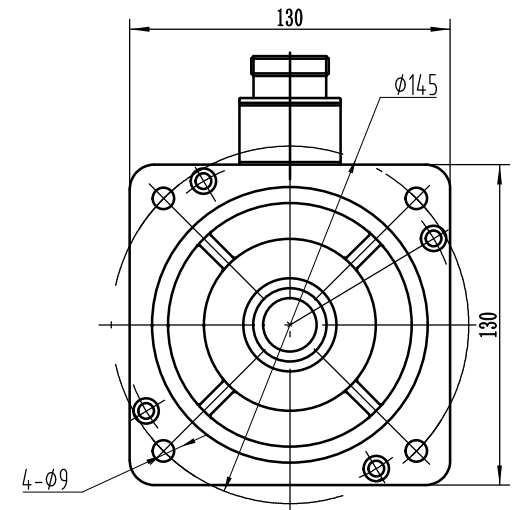
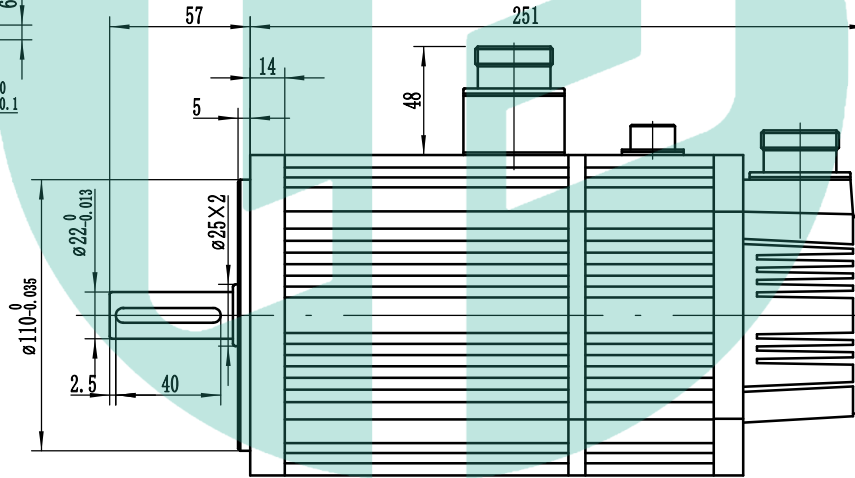
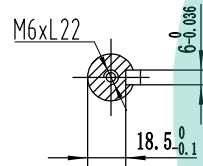


17 bit incremental encoder connector wiring Definition							
PIN	1	2	3	4	5	6	7
Signal	PE	E-	E+	SD-	0V	SD+	5V

Brake Connector



Brake Wiring Definition			
PIN	1	2	3
Signal	24V		/



Rated Voltage	220	VAC
Rated Power	1.60	KW
Rated Torque	7.7	N.m
MAX Torque	22	N.M
Rated Speed	2000	RPM
Max Speed	2400	RPM
Rated Current	6	A
Max Current	18.5	A
Line back EMF constant	78±10%	V/KRPM
Line Resistance	1.38±10%	Ω
Line inductance	4.5±10%	mH
Rator Inertia	15.3±10%	x10 ⁴ kg.m ²
Pole Pairs	4	pairs
Motor Insulation Class	Class F	
Motor Protection Class	IP65	

ECMA-E21315BS