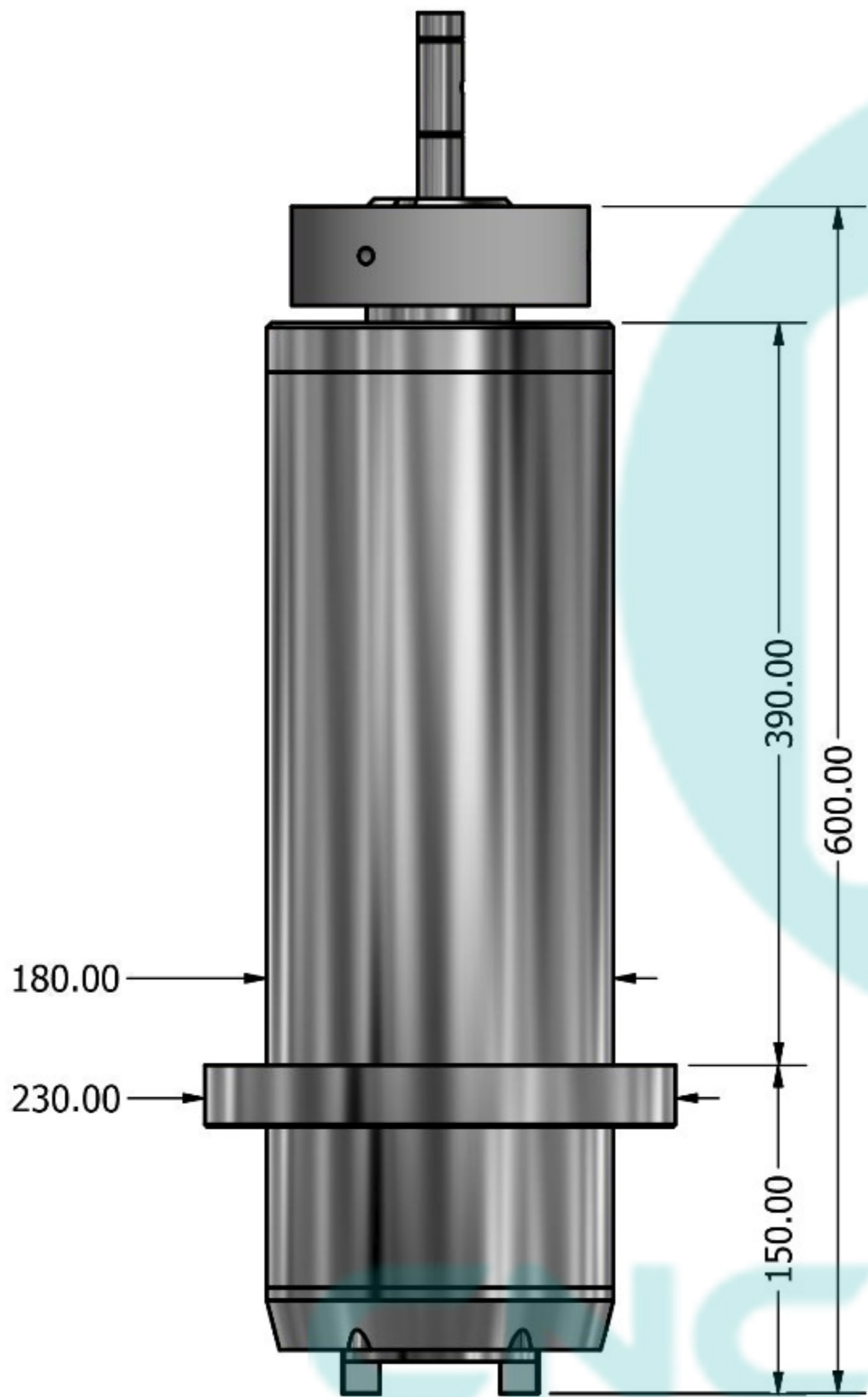
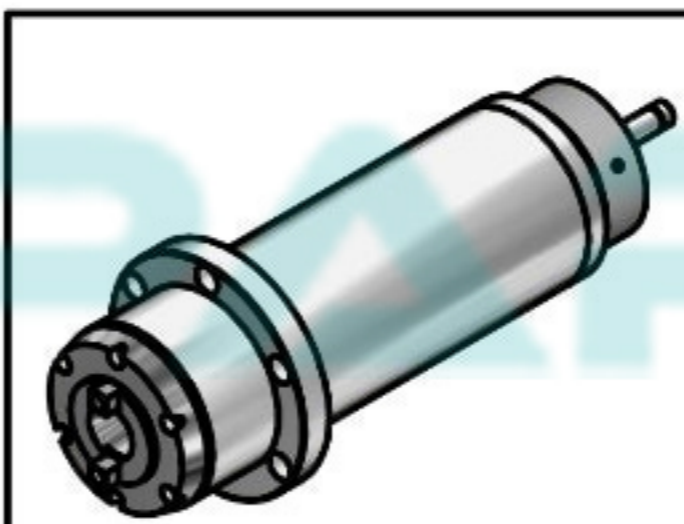
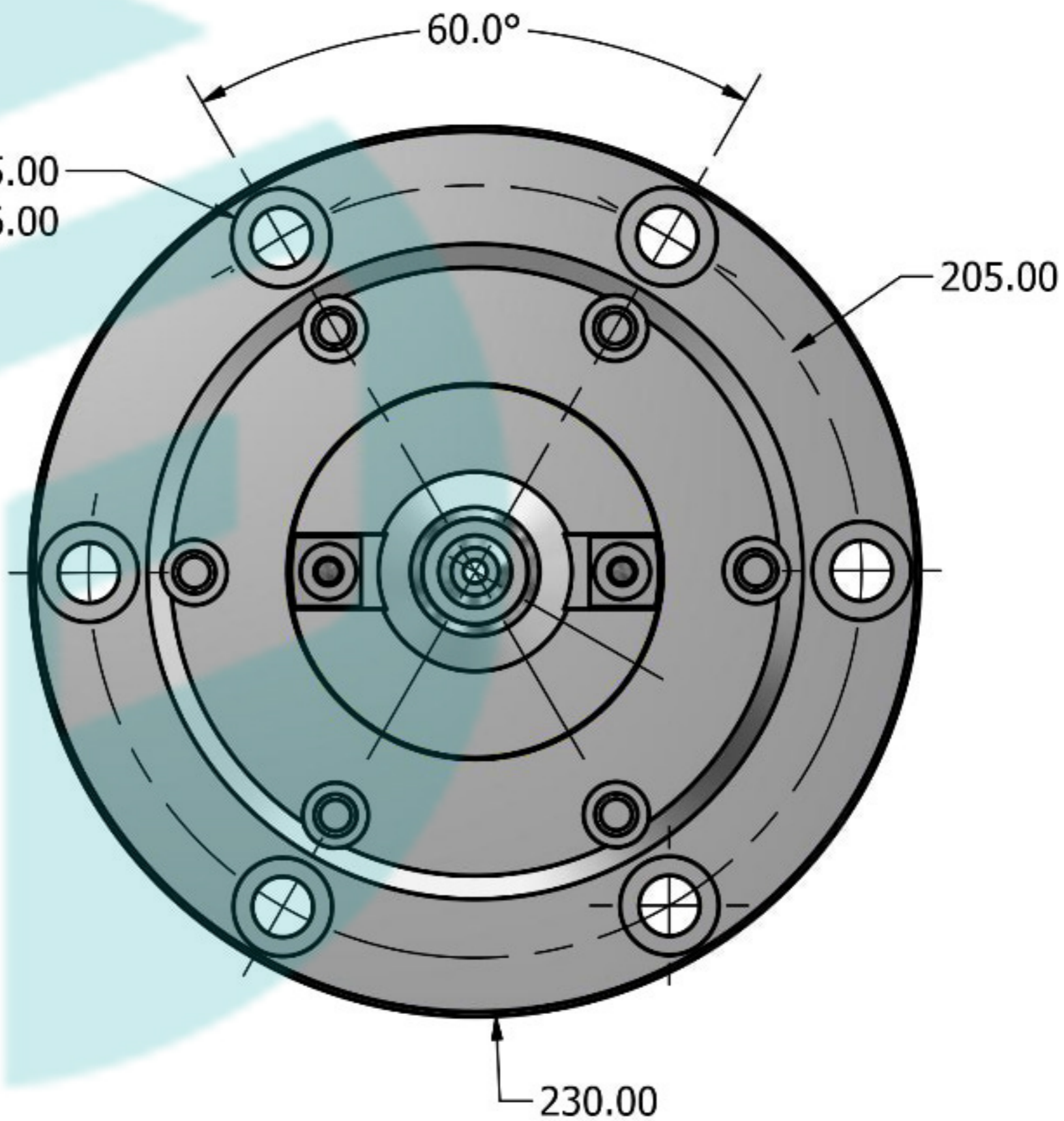


BT50 SPINDLE
General Dimensions



6 x $\varnothing 13.00 \nabla 35.00$
 $\lrcorner \varnothing 21.00 \nabla 16.00$



Scale 1:1	BT50 SPINDLE		
Designer	CNCparts Group		
Matrial	GG30	Taper	BT50
Part NO	SPBT501		
It is possible to change all dimensions and specifications without prior notice, please contact before preparing the device.			