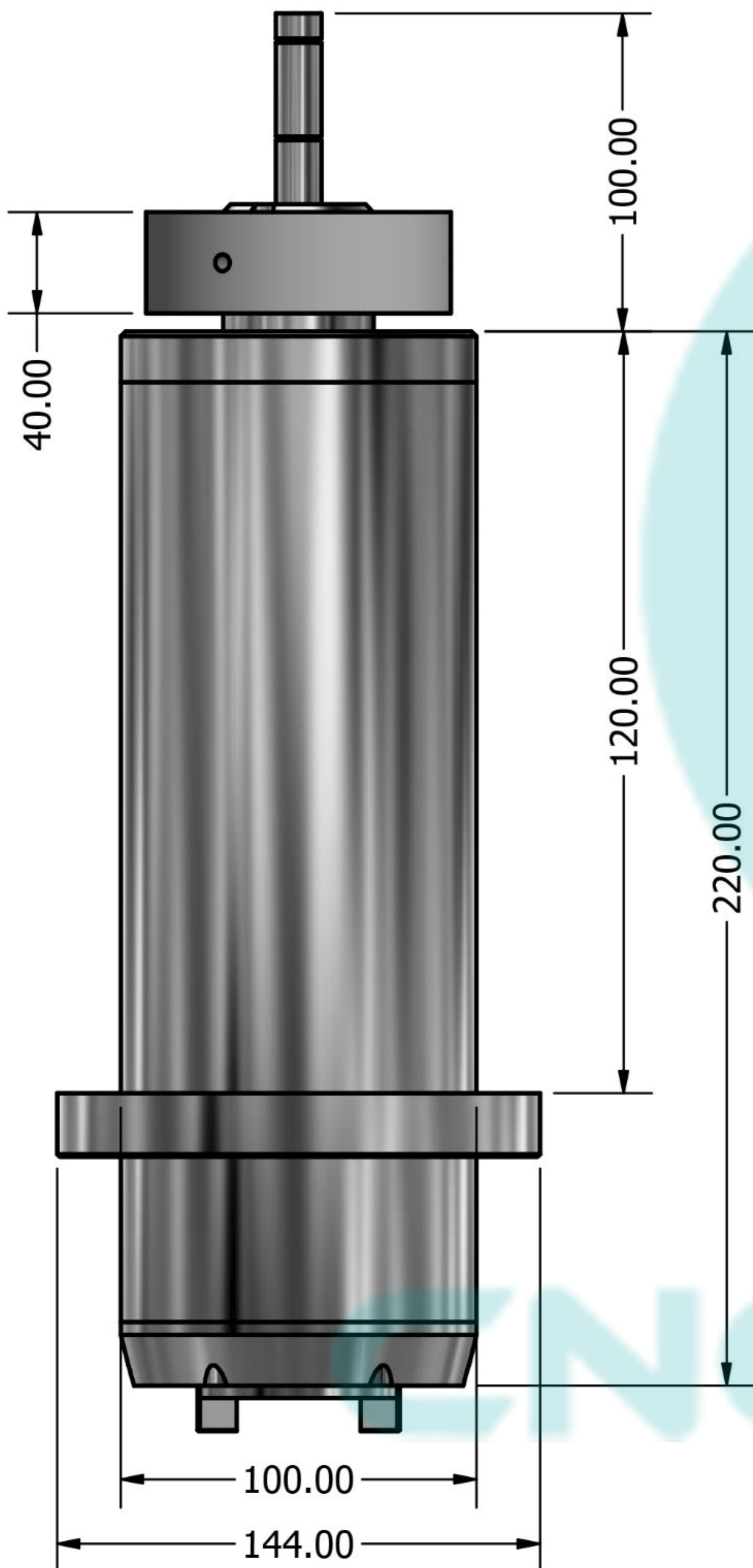
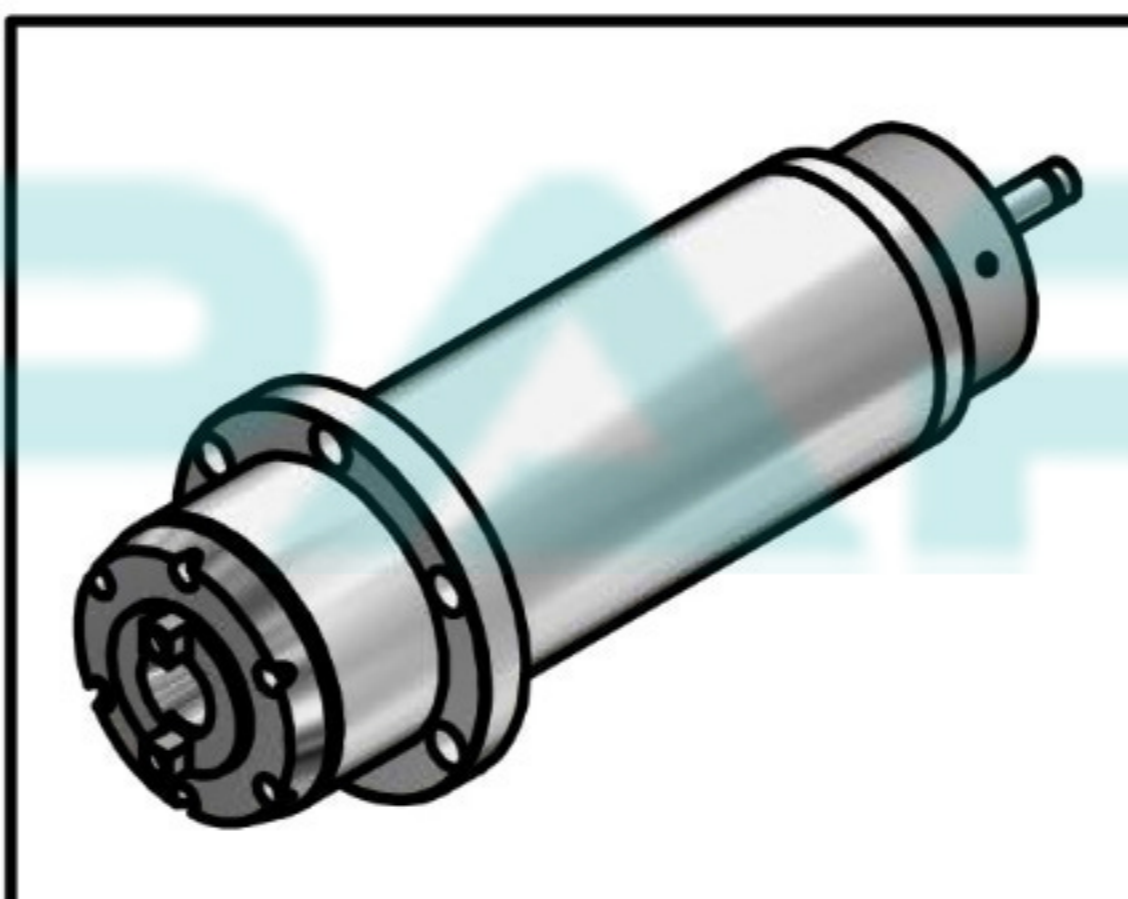
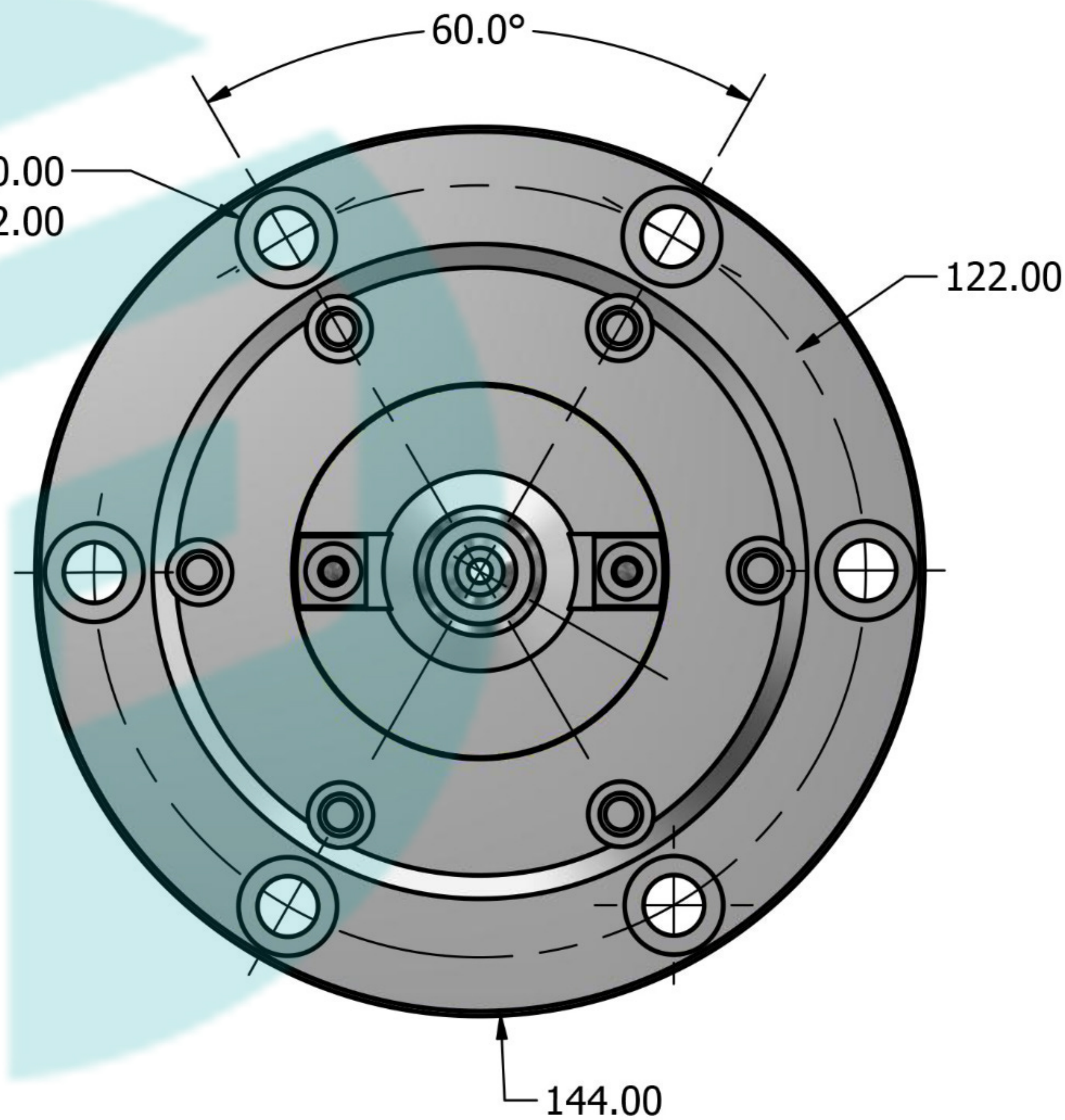


BT30 SPINDLE

General Dimensions



6 x $\varnothing 11.00 \nabla 20.00$
 $\lrcorner \varnothing 17.00 \nabla 12.00$



Scale 1:1	BT30 SPINDLE		
Designer	CNCparts Group		
Material	Mo40	Taper	BT30
Part NO	SPBT301		
It is possible to change all dimensions and specifications without prior notice, please contact before preparing the device.			