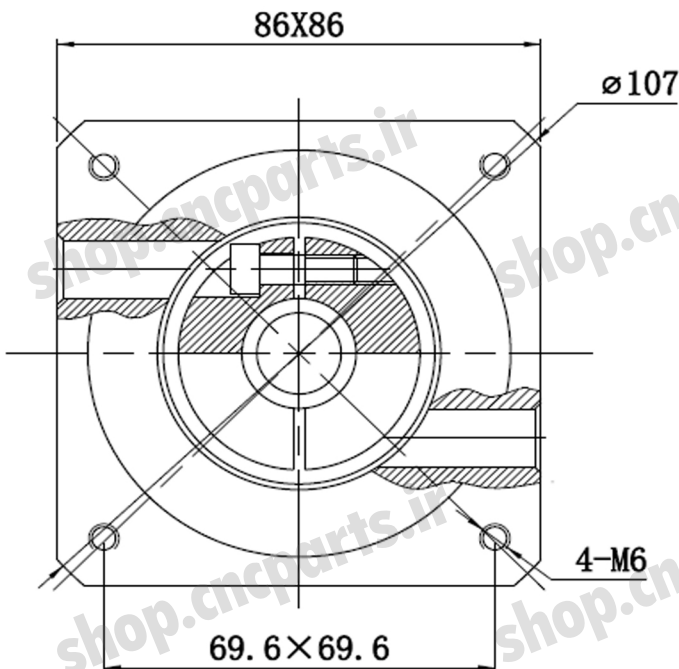
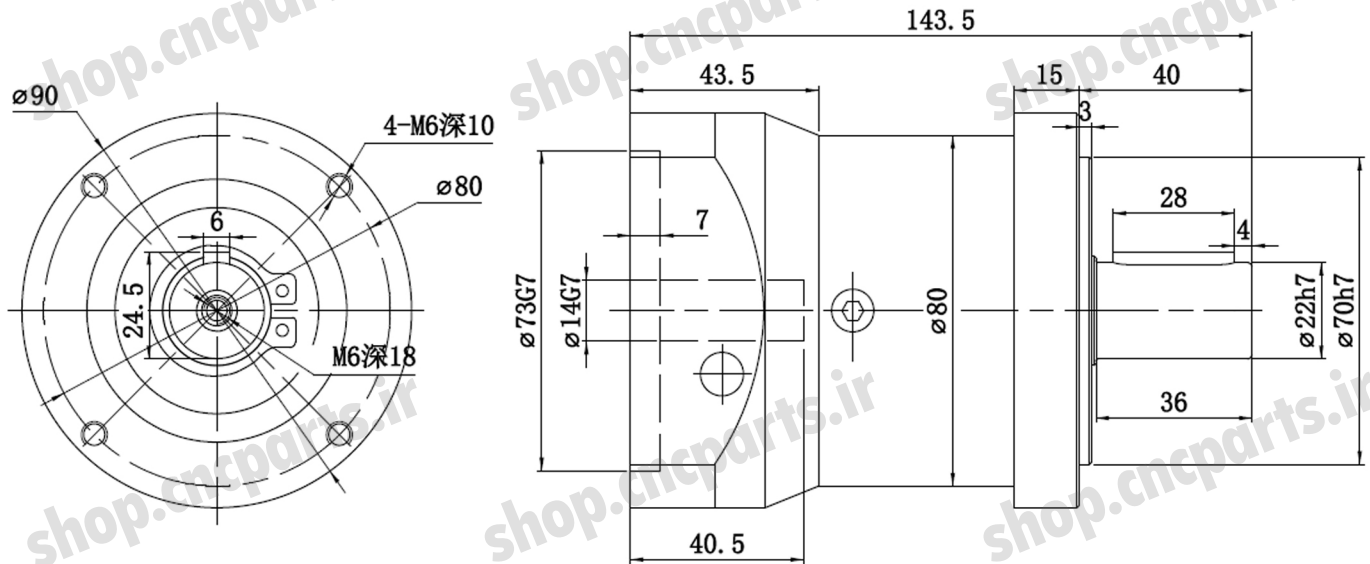




LE90-3-5-10-S



Specifications:

Instant Stop Torque: 2 times of rated torque

Max Radial Torque: 650N

Max Axial Torque: 900N

Full Load Efficiency: 96%

Backlash:

Ratio	3	4	5	8	10
Torque	40	50	50	45	45