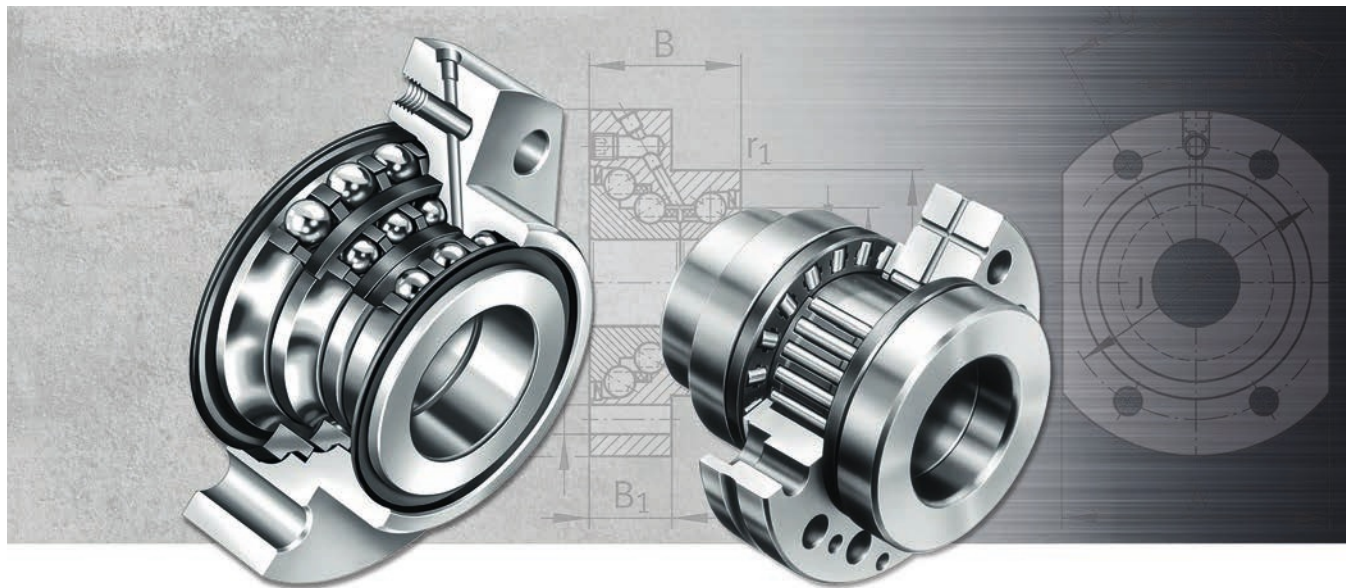




FAG



Bearings for Screw Drives

Axial angular contact ball bearings
Needle roller/axial cylindrical roller bearings
Accessories



shop.cncparts.ir

یک خرید مطمئن

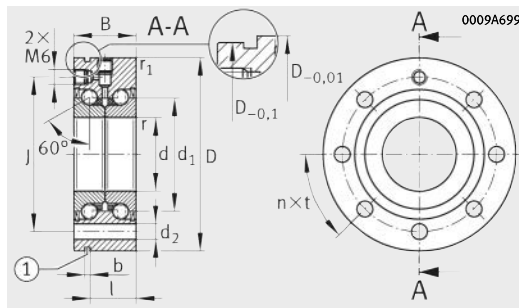
SCHAEFFLER

تهران، خیابان سعدی جنوبی، چهارراه اکباتان کوچه ناظم الاطبا شمالی، ابتدای کوچه، پلاک ۱۶۷
۳۳۹۵۹۳۲۶ - ۳۳۹۵۹۷۵۶ - ۳۳۹۵۹۰۳۴ - ۳۳۵۳۲۱۹۴ - ۳۶۶۱۹۵۱۰ - ۳۶۶۱۹۳۹۰

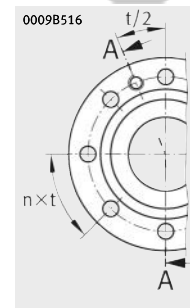
Axial angular contact ball bearings

With fixing holes

X-life



ZKLF..-2RS, ZKLF..-2Z (d ≤ 50 mm)



ZKLF30100

Dimension table (continued) · Dimensions in mm

Designation	X-life	Mass m ≈ kg	Dimensions					
			d -0,005	D -0,01	B -0,25	d ₁	r min.	r ₁ min.
ZKLF2575-2RS	XL	0,72	25	75	28	40,5	0,3	0,6
ZKLF2575-2Z	XL	0,72	25	75	28	40,5	0,3	0,6
ZKLF3080-2RS	XL	0,78	30	80	28	45,5	0,3	0,6
ZKLF3080-2Z	XL	0,78	30	80	28	45,5	0,3	0,6
ZKLF30100-2RS ²⁾	XL	1,63	30	100	38	51	0,3	0,6
ZKLF30100-2Z ²⁾	XL	1,63	30	100	38	51	0,3	0,6
ZKLF3590-2RS	XL	1,13	35	90	34	52	0,3	0,6
ZKLF3590-2Z	XL	1,13	35	90	34	52	0,3	0,6

Performance data

Designation	X-life	Basic load ratings		Fatigue limit load C _u N	Limiting speed n _G grease min ⁻¹	Thermally safe operating speed n _θ min ⁻¹	Bearing frictional torque M _R Nm
		axial dyn. C _a N	stat. C _{0a} N				
ZKLF2575-2RS	XL	30 500	55 000	3 250	5 700	2 600	0,4
ZKLF2575-2Z	XL	30 500	55 000	3 250	7 500	4 700	0,2
ZKLF3080-2RS	XL	32 000	64 000	3 750	5 000	2 200	0,5
ZKLF3080-2Z	XL	32 000	64 000	3 750	6 700	4 300	0,25
ZKLF30100-2RS ²⁾	XL	65 000	108 000	6 400	4 500	2 100	0,8
ZKLF30100-2Z ²⁾	XL	65 000	108 000	6 400	5 600	4 000	0,4
ZKLF3590-2RS	XL	45 000	89 000	5 200	4 400	2 000	0,6
ZKLF3590-2Z	XL	45 000	89 000	5 200	5 800	3 800	0,3

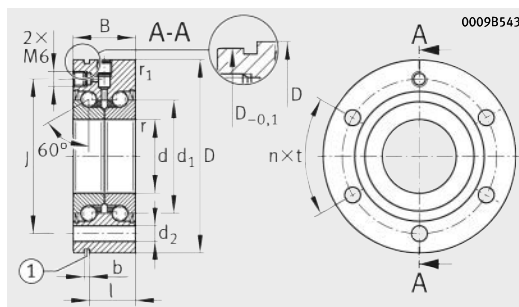
① Extraction slot. ② Adjacent construction, bearing screw mounted on flat surface. ③ Adjacent construction, bearing screw mounted in bore. ④ Only valid in assembled condition.

- The screws are not included in the scope of delivery. Tightening torque in accordance with manufacturer's data. Number of holes in adjacent construction corresponds to t_a.
- Heavy series.
- Based on rotating inner ring.
- The recommended INA precision locknuts are not included in the scope of delivery and must be ordered separately.
- The required axial locknut force must be observed when using other locknuts.
- Only valid in conjunction with INA precision locknuts. Note the guidelines on locating/locating bearing arrangements, see page 54.

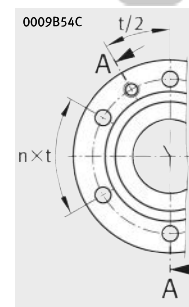


Axial angular contact ball bearings

With fixing holes
Less stringent tolerances



ZKLF.-2RS-PE



ZKLF12, ZKLF15

Dimension table - Dimensions in mm

Designation	Mass m ≈ kg	Dimensions					
		d -0,01	D	B -0,25	d ₁	r min.	r ₁ min.
ZKLF1255-2RS-PE	0,37	12	55 _{-0,013}	25	25	0,3	0,6
ZKLF1560-2RS-PE	0,43	15	60 _{-0,013}	25	28	0,3	0,6
ZKLF1762-2RS-PE	0,45	17	62 _{-0,013}	25	30	0,3	0,6
ZKLF2068-2RS-PE	0,61	20	68 _{-0,013}	28	34,5	0,3	0,6
ZKLF2575-2RS-PE	0,72	25	75 _{-0,013}	28	40,5	0,3	0,6
ZKLF3080-2RS-PE	0,78	30	80 _{-0,013}	28	45,5	0,3	0,6
ZKLF3590-2RS-PE	1,13	35	90 _{-0,015}	34	52	0,3	0,6
ZKLF40100-2RS-PE	1,46	40	100 _{-0,015}	34	58	0,3	0,6
ZKLF50115-2RS-PE	1,86	50	115 _{-0,015}	34	72	0,3	0,6

Performance data

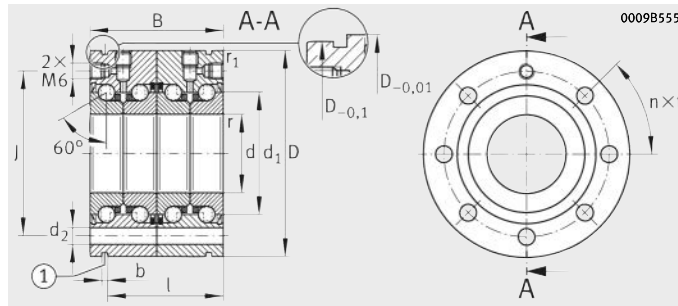
Designation	Basic load ratings		Fatigue limit load C _u N	Limiting speed n _{G grease} min ⁻¹	Thermally safe operating speed n _{th} min ⁻¹	Bearing frictional torque M _R Nm
	axial dyn. C _a N	stat. C _{0a} N				
ZKLF1255-2RS-PE	16 900	24 700	1 090	9 200	3 800	0,16
ZKLF1560-2RS-PE	17 900	28 000	1 240	8 200	3 500	0,2
ZKLF1762-2RS-PE	18 800	31 000	1 380	7 600	3 300	0,24
ZKLF2068-2RS-PE	26 000	47 000	2 070	6 600	3 000	0,3
ZKLF2575-2RS-PE	27 500	55 000	2 450	5 700	2 600	0,4
ZKLF3080-2RS-PE	29 000	64 000	2 800	5 000	2 200	0,5
ZKLF3590-2RS-PE	41 000	89 000	3 950	4 400	2 000	0,6
ZKLF40100-2RS-PE	43 000	101 000	4 450	4 000	1 800	0,7
ZKLF50115-2RS-PE	46 500	126 000	5 600	3 200	1 500	0,9

① Extraction slot. ② Adjacent construction, bearing screw mounted on flat surface. ③ Adjacent construction, bearing screw mounted in bore. ④ Only valid in assembled condition.

- The screws are not included in the scope of delivery. Tightening torque in accordance with manufacturer's data. Number of holes in adjacent construction corresponds to t_a.
- Based on rotating inner ring.
- The recommended INA precision locknuts are not included in the scope of delivery and must be ordered separately.
- The required axial locknut force must be observed when using other locknuts.
- Only valid in conjunction with INA precision locknuts. Note the guidelines on locating/locating bearing arrangements, see page 54.

Axial angular contact ball bearings

With fixing holes
Matched pair



X-life

ZKLF.-2RS-2AP

Dimension table - Dimensions in mm								
Designation	X-life	Mass m ≈ kg	Dimensions					
			d -0,005	D -0,01	B -0,25	d ₁	r min.	r ₁ min.
ZKLF1762-2RS-2AP	XL	0,9	17	62	50	30	0,3	0,6
ZKLF2068-2RS-2AP	XL	1,22	20	68	56	34,5	0,3	0,6
ZKLF2575-2RS-2AP	XL	1,44	25	75	56	40,5	0,3	0,6
ZKLF3080-2RS-2AP	XL	1,56	30	80	56	45,5	0,3	0,6
ZKLF3590-2RS-2AP	XL	2,26	35	90	68	52	0,3	0,6
ZKLF40100-2RS-2AP	XL	2,92	40	100	68	58	0,3	0,6
ZKLF50115-2RS-2AP	XL	3,72	50	115	68	72	0,3	0,6

Performance data							
Designation	X-life	Basic load ratings		Fatigue limit load C _u N	Limiting speed n _{G grease} min ⁻¹	Thermally safe operating speed n _{th} min ⁻¹	Bearing frictional torque M _R Nm
		axial					
		dyn. C _a N	stat. C _{0a} N				
ZKLF1762-2RS-2AP	XL	33 500	62 000	3 700	7 600	3 300	0,36
ZKLF2068-2RS-2AP	XL	46 000	94 000	5 500	6 600	3 000	0,45
ZKLF2575-2RS-2AP	XL	49 000	111 000	6 500	5 700	2 600	0,6
ZKLF3080-2RS-2AP	XL	52 000	127 000	7 500	5 000	2 200	0,75
ZKLF3590-2RS-2AP	XL	73 000	177 000	10 500	4 400	2 000	0,9
ZKLF40100-2RS-2AP	XL	77 000	202 000	11 900	4 000	1 800	1,05
ZKLF50115-2RS-2AP	XL	83 000	250 000	14 900	3 200	1 500	1,35

Further sizes and designs with seals 2Z available by agreement.

① Extraction slot. ② Adjacent construction, bearing screw mounted on flat surface. ③ Adjacent construction, bearing screw mounted in bore. ④ Only valid in assembled condition. ⑤ Threaded extraction holes, see page 47.

- The screws are not included in the scope of delivery. Tightening torque in accordance with manufacturer's data. Number of holes in adjacent construction corresponds to t_a.
- Based on rotating inner ring.
- The recommended INA precision locknuts are not included in the scope of delivery and must be ordered separately.
- The required axial locknut force must be observed when using other locknuts.
- Only valid in conjunction with INA precision locknuts. Note the guidelines on locating/locating bearing arrangements, see page 54.