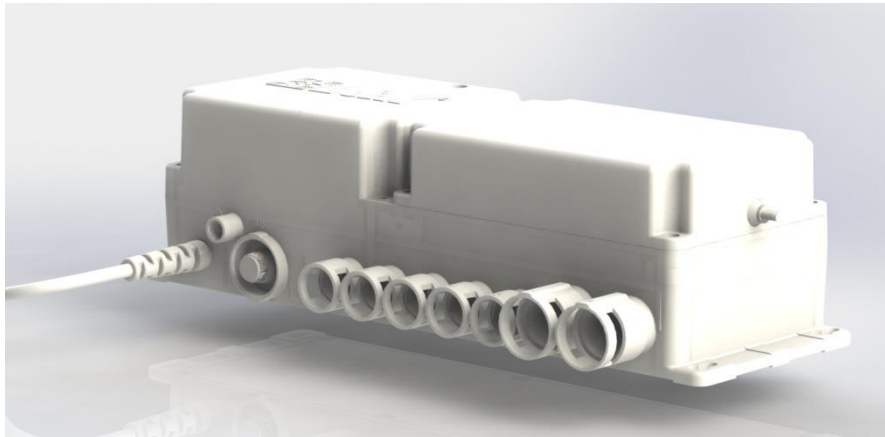




## CB10



CB10 is a slender shape control box, it is widely used in hospital beds and care beds, as well as in multiple function beauty equipment; Switching power transformer is adopted to accept international wide input voltage.

### Features :

- Max. for 4 actuators. Actuator type: LA28, LA29, LA31, LA32, LA33 , LA34 , LA35, LA37, LA38, LA39 (with Jack Plug)
- 100W switching power transformer, Mains voltage: 100-240VAC or 180-300VAC
- All channels have electronic overload protection (EOP) device
- DIN socket for handset HB1X, HB3X, HB5X, HB7X, HB8X, ACP and FS
- Fixed power cable
- Duty cycle: Max. 10% or 6 min. continuous use followed by 1 hour not in use
- Ambient temperature: +5°C to +40°C
- Protection class: IP54
- Color: Gray-White (Black Min. Order 500pcs)
- Built-in Battery case
- Stop working when battery in low Voltage
- Additional cable clasp make the actuator combine with control box more securely
- Exchangeable fuse holder

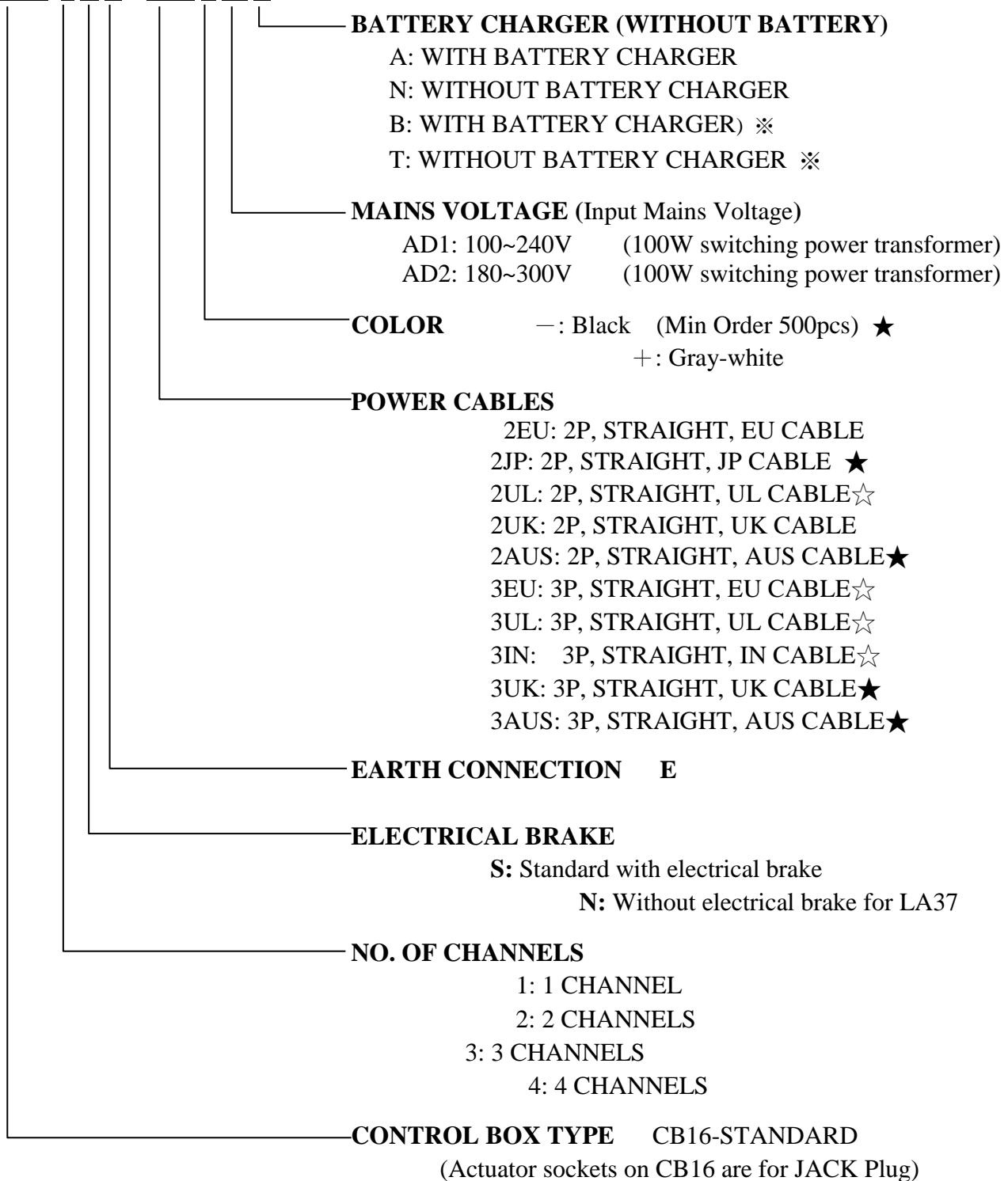
### Options :

- Can choose additional 2 pcs of BA1600 (Lead-Acid battery) or 1 set BA1800 (Li-ion battery) installed in battery case
- Class 1: earth connection

- Protection class: IP66(not allowed being in wash tunnels)
- Built-in T-cable device needed for operating two handsets simultaneously

**CB10 Ordering Example :**

**CB10. 3 N E - 2UL + 22 B**



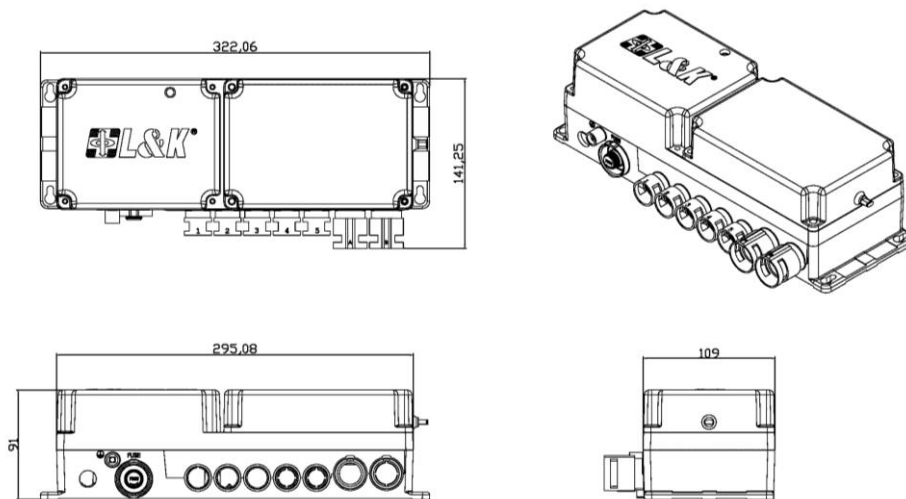


The 「★」 signal is for special specification.

The 「※」 signal is only for China products .

The 「☆」 signal merchandise in China belongs to special specification.

### Dimensions :



### Notice :

- ◆ Only CB10XN can work with LA37.
- ◆ Built-in T Cable device needed when operating two handsets simultaneously or one handset and one ACP simultaneously.
- ◆ 2pcs of BA1600: DC24V /1.2Ah Lead-Acid battery; BA1800: DC26V / 1.8Ah Li-ion battery

تهران، خیابان سعدی جنوبی، چهارراه اکباتان کوچه ناظم الاطبا شمالی، ابتدای کوچه، پلاک ۱۶۷  
 ۳۶۶۱۹۳۹۰ - ۳۶۶۱۹۵۱۰ - ۳۳۵۳۲۱۹۴ - ۳۳۹۵۹۰۳۴ - ۳۳۹۵۹۷۵۶ - ۳۳۹۵۹۳۲۶