

## Ball screws

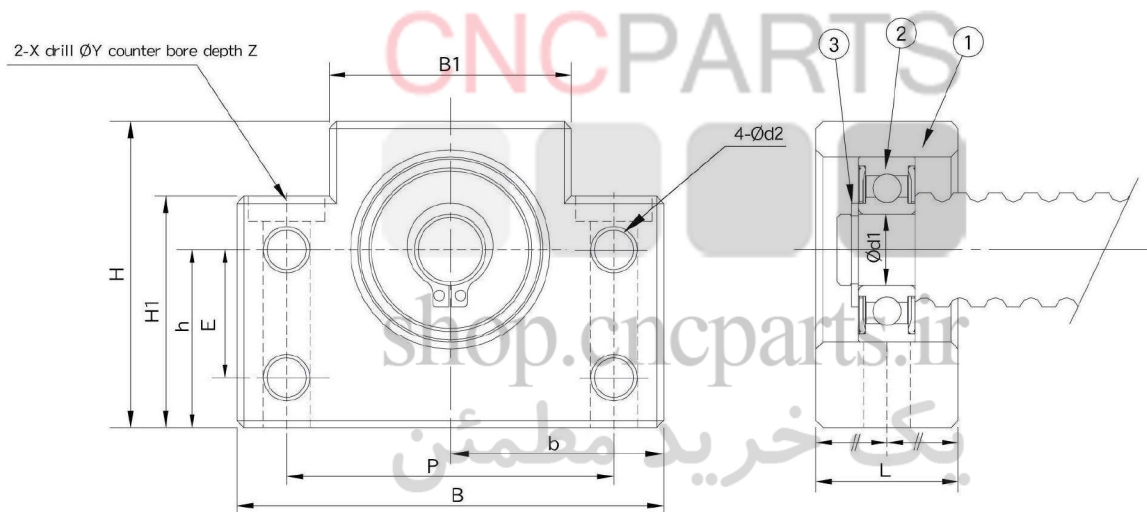
### Bearing housings

#### 5.4 Simple bearing housing type BF

The axis height of the supported bearing is matched to fixed bearing BK.  
 The end machining suited to supported bearing BF is the E5B-xx type.

Simple bearing housing set BF includes:

- Steel housing
- Radial ball bearing
- Circlip



(1) Housing, (2) Bearing, (3) Circlip

Type	Ød	L	B	H	b ±0.02	h ±0.02	B1	H1	P	X	Y	Z	End machining	Bearing
BF-10	8	20	60	39	30	22	34	32.5	46	6.6	10.8	5.0	E5B-10	608ZZ
BF-12	10	20	60	43	30	25	34	32.5	46	6.6	10.8	5.5	E5B-12	6000ZZ
BF-15	15	20	70	48	35	28	40	38.0	54	6.6	11.0	6.5	E5B-15	6002ZZ
BF-17	17	23	86	64	43	39	50	55.0	68	9.0	14.0	8.5	E5B-17	6003ZZ
BF-20	20	26	88	60	44	34	52	50.0	70	9.0	14.0	8.5	E5B-20	6004ZZ
BF-25	25	30	106	80	53	48	64	70.0	85	11.0	17.0	11.0	E5B-25	6205ZZ
BF-30	30	32	128	89	64	51	76	78.0	102	14.0	20.0	13.0	E5B-30	6206ZZ
BF-40	40	37	160	110	80	60	100	90.0	130	18.0	26.0	17.5	E5B-35	6208ZZ

Dimensions in [mm]