

Ball screws

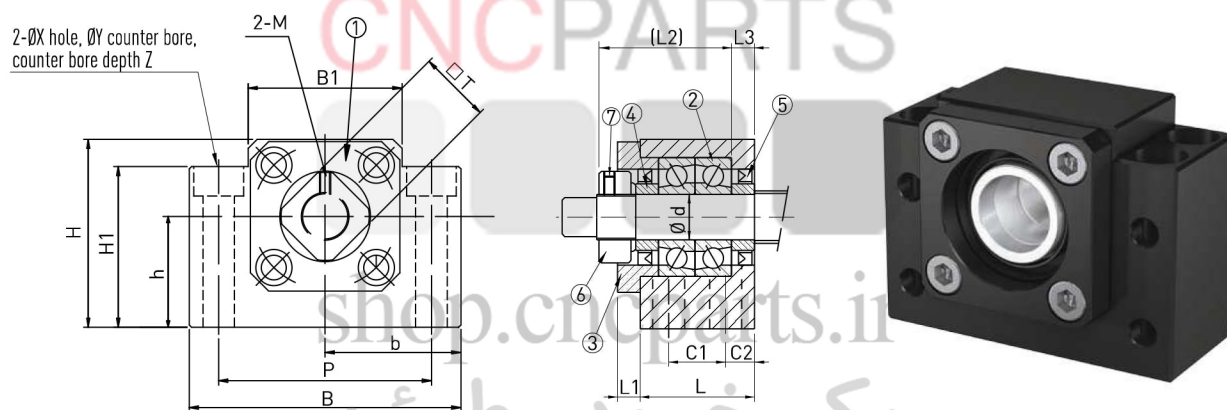
Bearing housings

5.3 Fixed bearing housing type BK

The axis height of the fixed bearing BK is matched to supported bearing BF.
The end machining suited to fixed bearing BK is the E2B-xx type.

Fixed bearing set BK includes:

- Steel bearing housing
- Angular contact ball bearing (2 pcs)
- Spacer (2 pcs)
- Radial lock nut



(1) Housing, (2) Bearing, (3) Retaining cover, (4) Support ring, (5) Seal, (6) Clamping nut, (7) Allen set screw

Type	Ød	L	L1	L2	L3	B	H	b ±0.02	h ±0.02	B1	H1	P	C1	C2	X	Y	Z	M	T	End machining	Bearing
BK-10	10	25	5	29.5	5	60	39	30	22	34	32.5	46	13	6	6.6	10.8	5.1	M3	16	E2B-10	7000A
BK-12	12	25	5	29.5	5	60	43	30	25	34	32.5	46	13	6	6.6	10.8	5.5	M4	19	E2B-12	7001A
BK-15	15	27	6	32.0	6	70	48	35	28	40	38.0	54	15	6	6.6	11.0	6.5	M4	22	E2B-15	7202A
BK-17	17	35	9	44.0	7	86	64	43	39	50	55.0	68	19	8	9.0	14.0	8.5	M4	24	E2B-17	7003A
BK-20	20	35	8	43.0	8	88	60	44	34	52	50.0	70	19	8	9.0	14.0	8.5	M4	30	E2B-20	7204A
BK-25	25	42	12	54.0	9	106	80	53	48	64	70.0	85	22	10	11.0	17.0	11.0	M6	35	E2B-25	7205A
BK-30	30	45	14	61.0	9	128	89	64	51	76	78.0	102	23	11	14.0	20.0	13.0	M6	40	E2B-30	7206A
BK-40	40	61	18	76.0	15	160	110	80	60	100	90.0	130	33	14	18.0	26.0	17.5	M6	50	E2B-35	7208A

Dimensions in [mm]