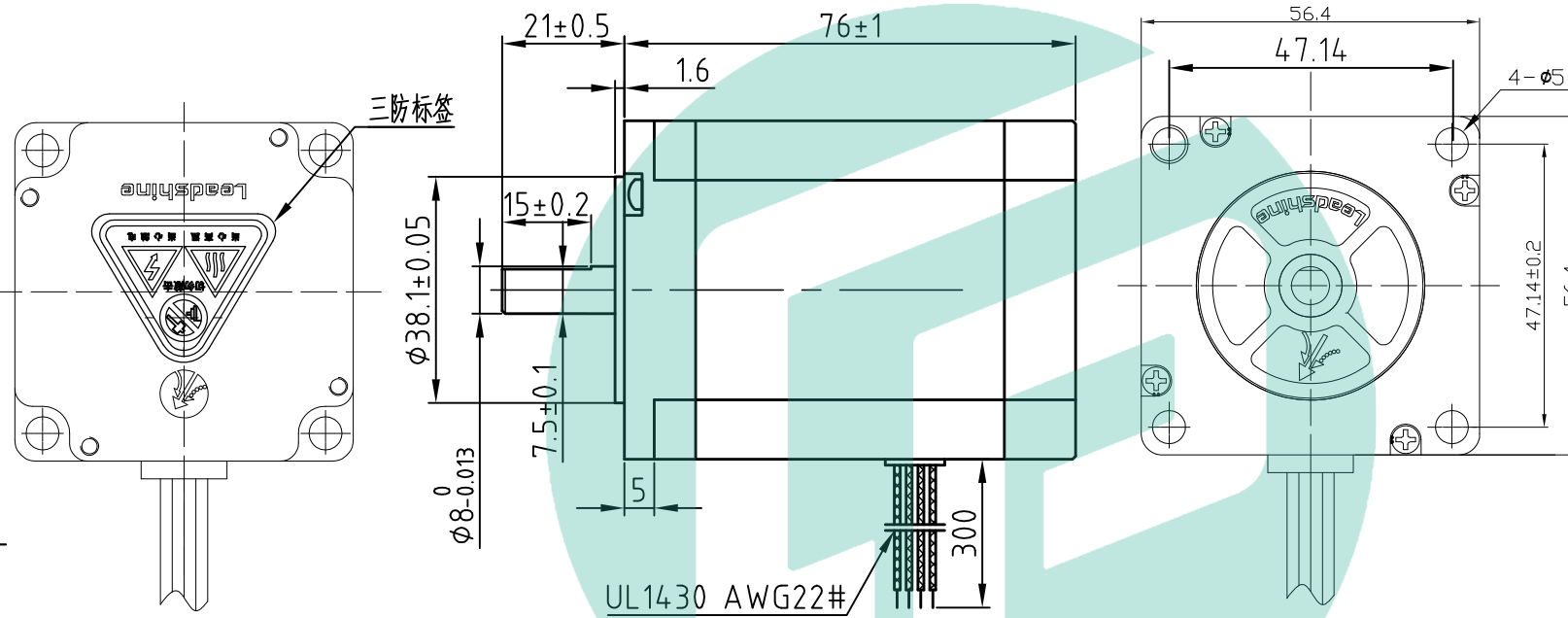
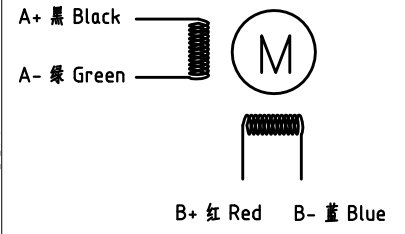


版本 Rev.	日期 Date	变更文件号 ECN NO.	变更内容 Revisions	设计 By
V1.0	17.04.12		初版	王洪松

Dimension: (Unit: mm)



**Motor Connetions:**



**Common Rating**

Step angle	1.8°
Position accuracy	1.8±0.9°
Dielectric strength	500VAC 1min
Insulation resistance	100MΩm(500VDC)
Insulation class	B
Temp rise(Max)	80K
Radial play	Max.0.02mm(Load 450g)
Axial play	Max.0.08mm(Load 900g)

**Specification:**

Current/phase	5.0 A
Voltage	1.9 V
DC Resistance/phase ±10%	0.38 Ω
Inductance/phase ±20%	1.75 mH
Holding torque	2.3 N·M
Detent torque	0.068 N·M
Inertia	0.480 kg·cm <sup>2</sup>
Weight	1.1 kg

CNC PARTS