

# 86-BK



## 86-BK Series Specification

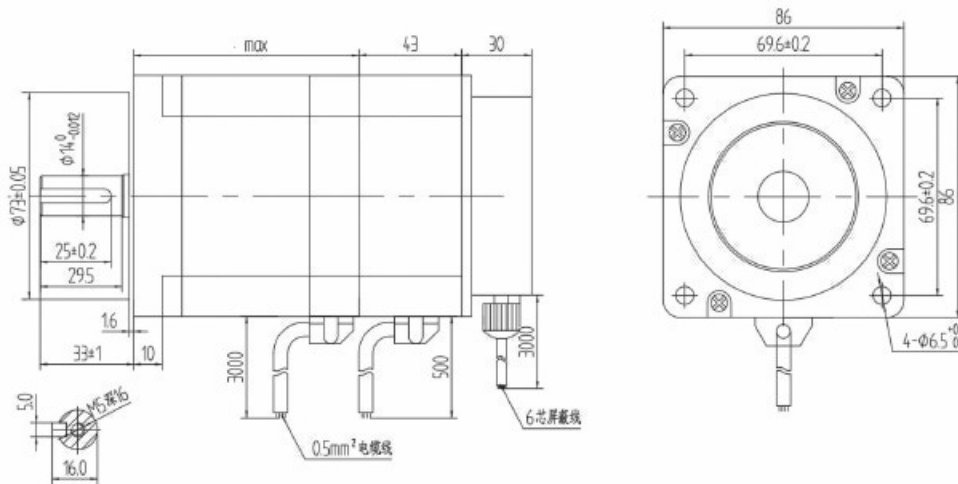
Accuracy	±5%(full step、unload)
Temperature	85°C MAX
Environment	-25°C~+55°C
Insulation Resistance	100MΩmin 500VDC
Pressure	500VAC for one minute
Radial runout	0.02 Max(450g-load)
Axial runout	0.08 Max(450g-load)

## Electrical Specification

### 86-BK Series Technical Specification

Model	Phase	Step Angle	Torque (NM)	Current (A)	Inductance (mH)	Resistance (ohm)	Lead	Brake Voltage(V)	Inertia (g.cm <sup>2</sup> )	Detent Torque(N.cm)	Motor length (mm)	Weight (kg)
86-40BK	2	1.8	4.0	6.0	2.5	0.35	4	24	1400	6.5	80	4
86-85BK	2	1.8	8.5	6.0	4.5	0.45	4	24	2700	12.5	118	5
86-120BK	2	1.8	12.5	6.0	8.5	0.92	4	24	4000	25	156	7

## Mechanical Dimension(UNIT:mm)



## Diagram Wiring:

