

3E0680(3 phase)



Features:

1. Voltage: 24~75VDC, peak current 8.2A
2. Apply for magnetic linkage vector resonance resistance algorithm and electronic damping low-speed vibration arithmetic
3. Auto recognize motor parameters and auto tuning control parameters when power is on
4. Build-in micro-step segmentation algorithm, to achieve low micro-step control command, high micro-step operate effect
5. Receive differential and single-end PUL/DIR command
6. Pulse, direction, enable signal port electric level compatible 4.5V~28VDC, no need to connect external resistor
7. Set positive edge, negative edge, single pulse, dual pulse and motor initial direction by serial port
8. Control command Max pulse frequency is 500KHz (Default is 200KHz)
9. Provide 15 gears micro-step value setting, to set 200~51200 micro-step by Serial port
10. Have serial port RS-232 or RS-485, can set or control drive parameters
11. Reliable, signal port is optical isolation
12. Over-voltage, over-current, under-voltage protecting

Electrical Specifications (Tj = 25°C/77°F)

| Parameters | 3E0680(3 phase) | | | | Unit |
|-----------------------|-----------------|---------|--------------|--|------|
| | Min | Typical | Max | | |
| Output current[PK] | 0.5 | - | 8.2(6.0 RMS) | | A |
| Supply voltage | 24 | 36 | 75 | | Vdc |
| Pulse Voltage | 4.5 | 5 | 28 | | Vdc |
| Logic signal current | 7 | 10 | 16 | | mA |
| Pulse input frequency | 0 | - | 200 | | KHz |
| Isolation resistance | 100 | - | - | | MΩ |

CURRENT SETTING

| Peak Current | Valid current | Sw1 | Sw2 | Sw3 |
|--------------|---------------|-----|-----|-----|
| Default | 3.0A(PK) | OFF | OFF | OFF |
| 4.2A | 3.0A | ON | OFF | OFF |
| 4.9A | 3.5A | OFF | ON | OFF |
| 5.6A | 4.0A | ON | ON | OFF |
| 6.3A | 4.5A | OFF | OFF | ON |
| 7.0A | 5.0A | ON | OFF | ON |
| 7.8A | 5.6A | OFF | ON | ON |
| 8.20A | 6.0A | ON | ON | ON |

Micro-step Setting

| Step/R | Sw5 | Sw6 | Sw7 | Sw8 |
|---------|-----|-----|-----|-----|
| Default | ON | ON | ON | ON |
| 400 | OFF | ON | ON | ON |
| 800 | ON | OFF | ON | ON |
| 1600 | OFF | OFF | ON | ON |
| 3200 | ON | ON | OFF | ON |
| 6400 | OFF | ON | OFF | ON |
| 12800 | ON | OFF | OFF | ON |
| 25600 | OFF | OFF | OFF | ON |
| 1000 | ON | ON | ON | OFF |
| 2000 | OFF | ON | ON | OFF |
| 4000 | ON | OFF | ON | OFF |
| 5000 | OFF | OFF | ON | OFF |
| 8000 | ON | ON | OFF | OFF |
| 10000 | OFF | ON | OFF | OFF |
| 20000 | ON | OFF | OFF | OFF |
| 25000 | OFF | OFF | OFF | OFF |

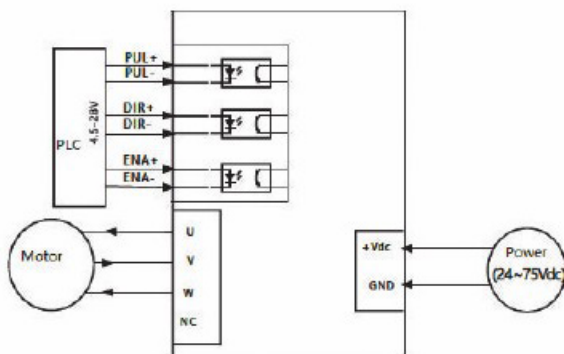
CNCPARTS



shop.cncparts.ir

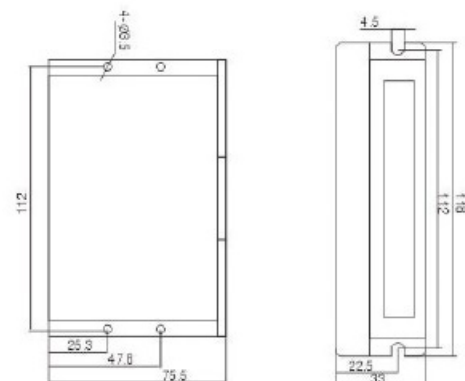
یک خرید مطمئن

Product Diagram



Match with nema23, nema24 and nema34 3 phase stepper motor

Product Dimension(Unit:mm)



تهران، خیابان سعدی جنوبی، چهارراه اکباتان کوچه ناظم الاطبا شمالی، ابتدای کوچه، پلاک ۱۶۷
 ۳۳۹۵۹۳۲۶ - ۳۳۹۵۹۷۵۶ - ۳۳۹۵۹۰۳۴ - ۳۳۵۳۲۱۹۴ - ۳۶۶۱۹۵۱۰ - ۳۶۶۱۹۳۹۰