

## 3-5 LA31

CNCPARTS



shop.cncparts.ir

یک خرید مطمئن



LA32 is designed for variety application, it has the firm structure with sturdy materials, suitable for being used in the furniture and equipment of beauty, care, medical and rehabilitation.

### Features :

- 24V DC permanent magnet motor
- Thrust 1500N~6000N; Speed 3.0~16.7mm/s
- Limited switches built-in (Not adjustable)
- High-strength plastic housing protects motor and gear
- Scratch and wear-resistant powder painted outer tube
- Strong wear and corrosion resistant stainless steel inner tube
- Steel piston rod eye
- Zinc alloy back fixture
- Duty cycle: Max. 10% or 2 min./ 18 min. in continuous use
- Ambient temperature: +5°C to +40°C
- Protection class: IP54
- Color: Grey-white

### Options :

- LA31 can be fitted with a brake for increasing self-lock effect
- Safety nut
- Protection class: IP66 (not allowed being in wash tunnels)
- Reed-Switch
- Quick-Release Q
- Back extended sleeve fixture (For only Quick-Release function)
- 0.2/ 0.4m coiled cable with DIN or Jack plug
- Back fixture position 0° or 90°
- Steel groove piston rod eye
- Fast motor
- Color: Black (Min. order: 500 pcs)
- Can install Hall Sensor function (Contact R & D department of LINKAN A/C first)

تهران، خیابان سعدی جنوبی، چهارراه اکباتان کوچه ناظم الاطبا شمالی، ابتدای کوچه، پلاک ۱۶۷  
۳۶۶۱۹۳۹۰ - ۳۶۶۱۹۵۱۰ - ۳۳۵۳۲۱۹۴ - ۳۳۹۵۹۰۳۴ - ۳۳۹۵۹۷۵۶ - ۳۳۹۵۹۳۲۶



## LA31 Ordering Example :

LA31. 4 B M R Q - 15 - 100 + B H D

**TYPE OF PLUG** (Notice the plug on the control box)

D : 2 cores DIN    4D : 4 cores DIN

5D : 5 cores DIN    J : JACK

X : WITHOUT PLUG

**BACK FIXTURE DIRECTION** (The direction of actuator installation)

H : HORIZONTAL

V : VERTICAL

**TYPE OF MOTOR**

B : STANDARD

S : FAST (The raising of motor power makes actuators more fast and powerful. But the working cycle becomes small)

**COLOR**    -: Black (MOQ 500PCS)★    +: Gray-white

**CABLE LENGTH**

100 = 100cm ★

150 = 150cm

200 = 200cm

**STROKE LENGTH**

10 = 10cm

15 = 15cm

20 = 20cm

25 = 25cm ☆ It is for special specification in China.

30 = 30cm ★

**QUICK RELEASE Q**

(Only used with 5mm pitch screw. Q is for CPR function and can makes beds return to original position quickly by manual operation)

**REED SWITCH**

R : As the worm wheel gear rotate one cycle, Reed Switch will send out 8 signals (pulses). Thus, control box can read signals to operate memory and parallel control.

H : Unipolar Hall Sensor ★

**SAFETY NUT M** (for avoiding main nut on the spindle breaking down and then bed sliding down suddenly)

**BRAKE B:**

(Raise self-lock power to prevent the sliding of fixed beds.)

**SPINDLE PITCH**

3 : 3.0mm (Small pitch, power: large, speed: slow)

4 : 4.0mm

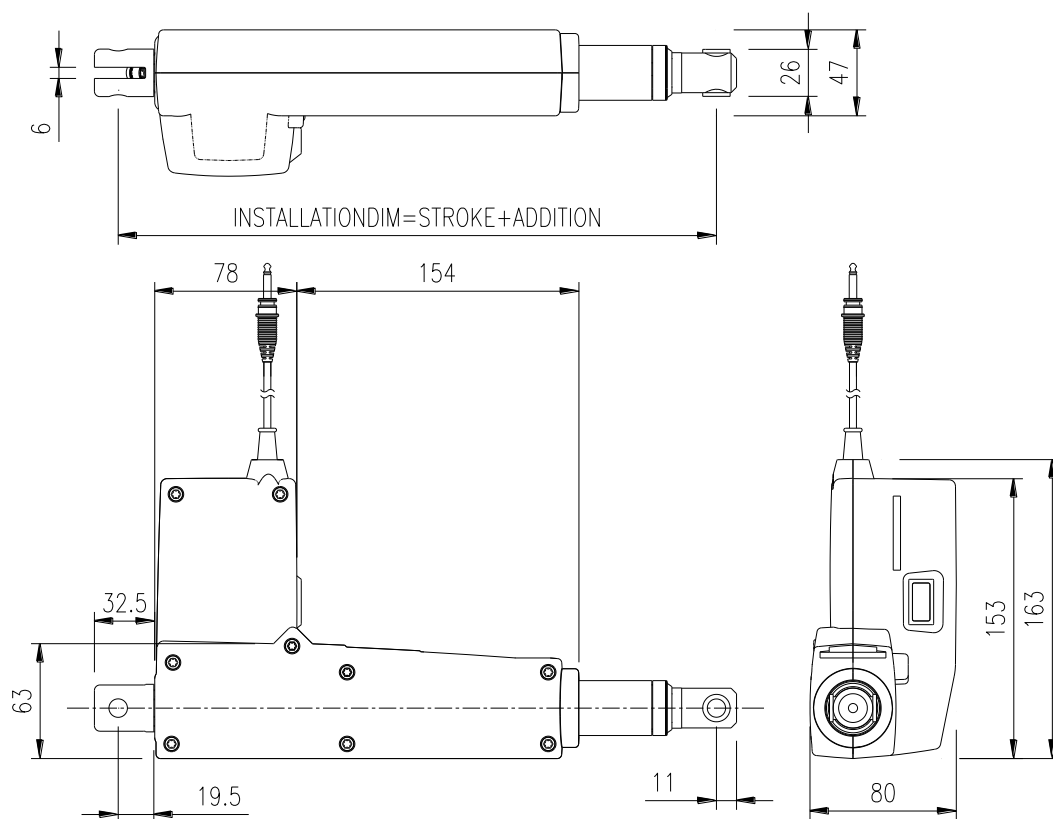
6 : 6.0mm

9 : 9.0mm (Large pitch, power: Small, speed: fast) ★

**ACTUATOR TYPE** LA31-BASIC

The 「★」 signal is for special specification.

**Dimensions :**



**LA31 Installation Dimension :**

Actuator Stroke mm	100	150	200	250	300
Basic Installation Stroke mm	288	323	373	423	473
Stretch Stroke mm	388	473	573	673	773

**LA31 Installation Dimension for Q function :**

Actuator Stroke mm	100	150	200
Basic Installation Stroke mm	377	427	477
Stretch Stroke mm	477	577	677

**Notice (Installation) :**

- ◆ If the stroke of LA31 is less than 100mm, all basic installation dimension are 288mm
- ◆ When the load is over 4000N, the longest stroke of a actuator is 250mm
- ◆ For a actuator equipped with Q function: Basic installation dimension is Stroke + 277mm

**Notice (for the installation of Q function)**

- ◆ The effective stroke length for Quick Release is:
  - Standard stroke length minus 10mm
  - E.g. Actuator with quick release is equipped with 150mm stroke length. The effective stroke length for this type is 140mm
- ◆ When LA31 actuator equipped Quick Release function, Brake(B) has also to be equipped and the spindle need to be 6mm pitch. The needed released power of actuator is 35 kgs.
- ◆ LA31 is not suitable for the pulling device. Suggestion: Actuator is suitable for the load in pushing situations.
- ◆ Back extended sleeve fixture is suggested for Quick Release function

