

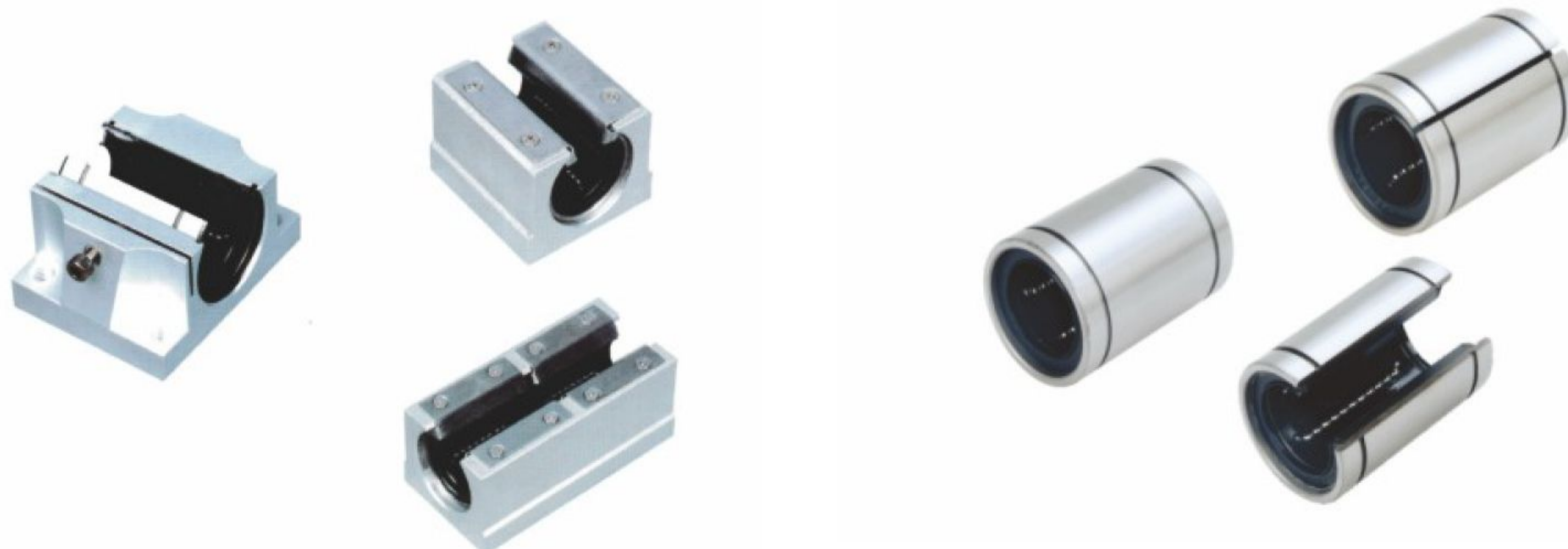
CNCPARTS



shop.cncparts.ir

یک خرید مطمئن

شرکت سی ان سی پارت ارائه دهنده انواع قطعات سی ان سی و ابزار صنعتی در کشور

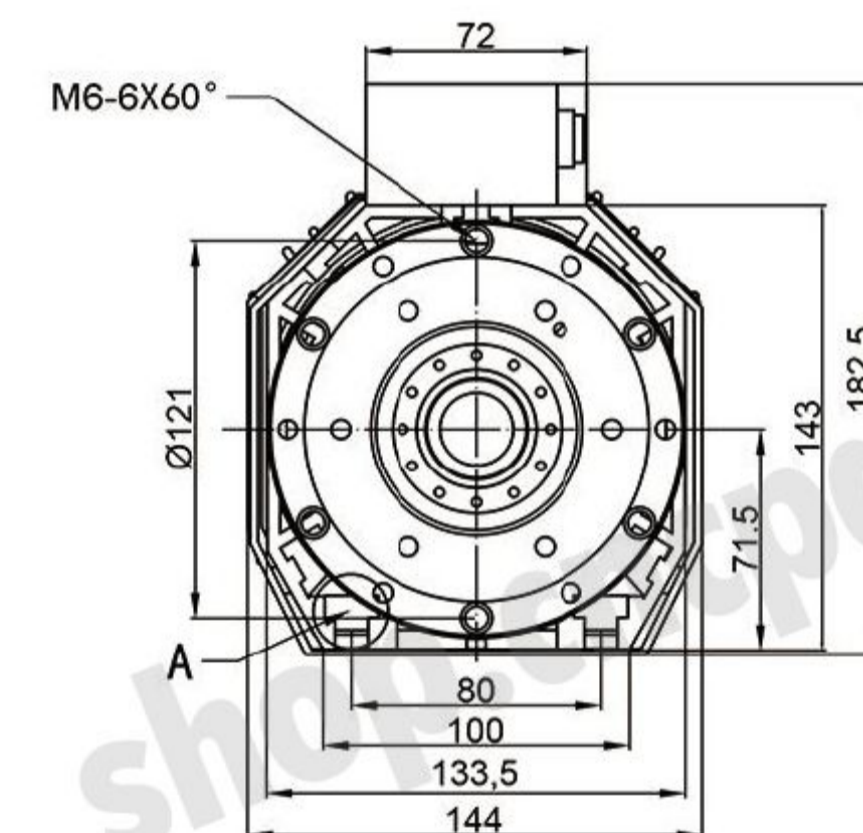
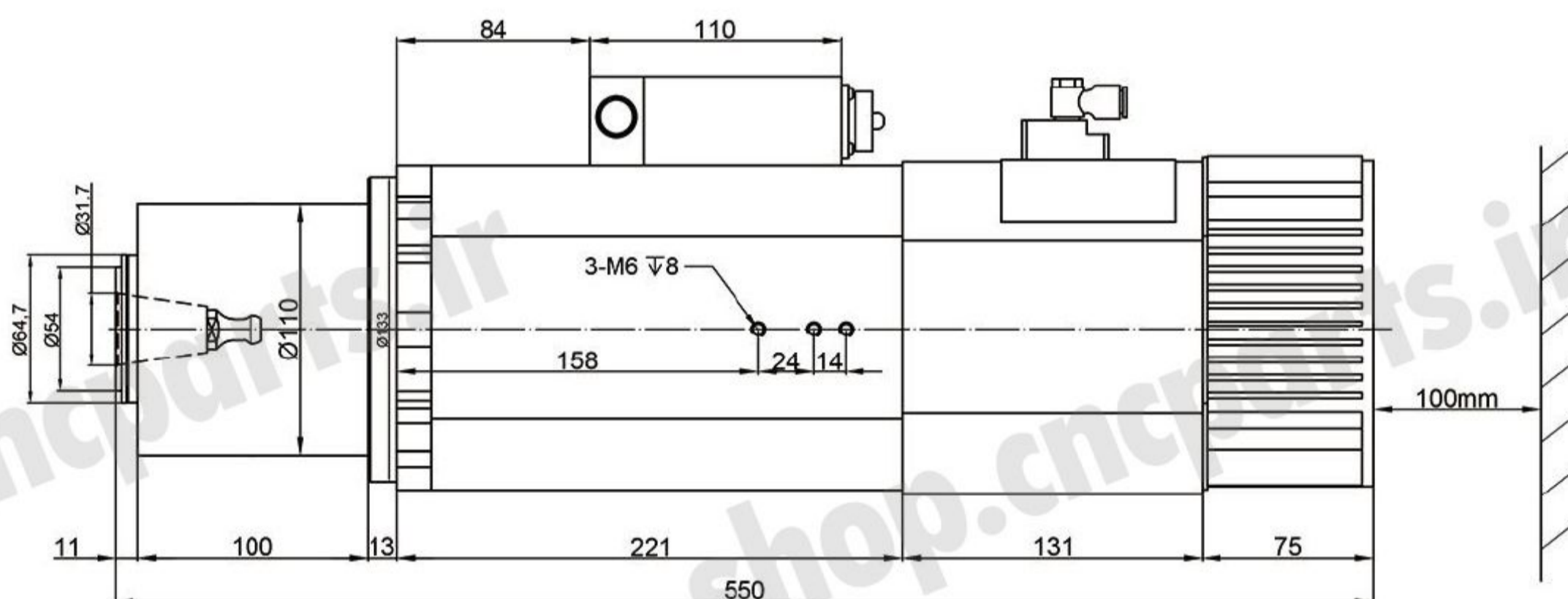
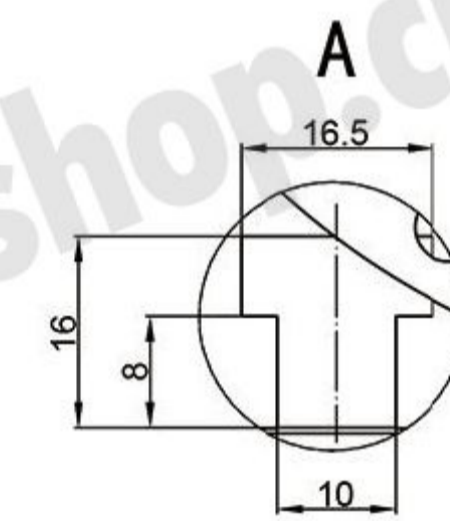
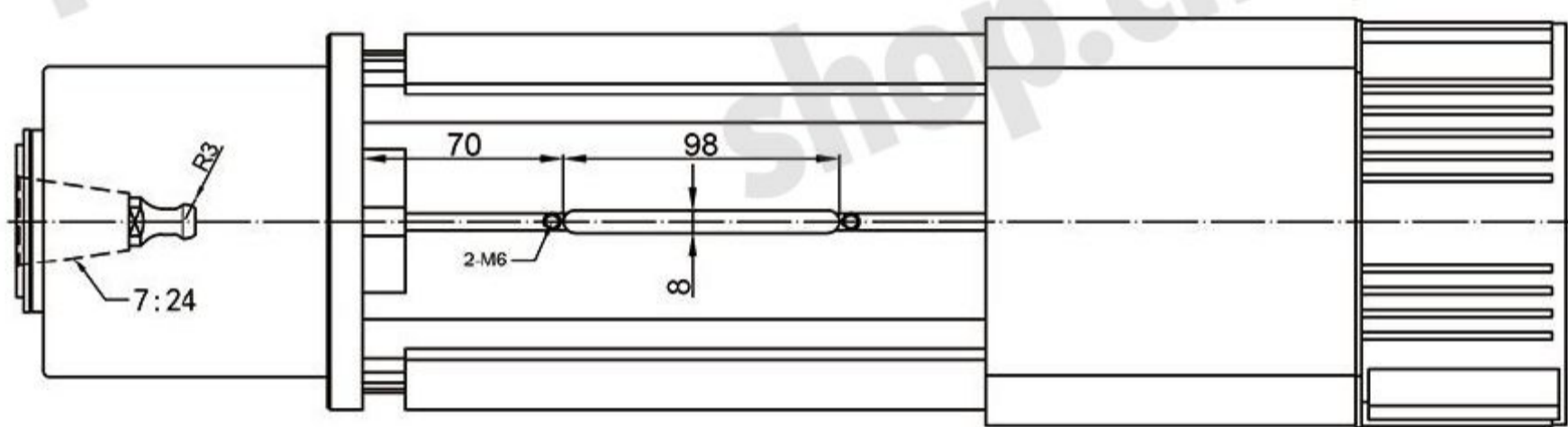


تهران، خیابان سعدی جنوبی، چهارراه اکباتان کوچه ناظم الاطبا شمالی، ابتدای کوچه، پلاک ۱۶۷
۳۳۹۵۹۳۲۶ - ۳۳۹۵۹۷۵۶ - ۳۳۹۵۹۰۳۴ - ۳۳۵۳۲۱۹۴ - ۳۶۶۱۹۵۱۰ - ۳۶۶۱۹۳۹۰



STL70-24Z-9.0L

Power: 9kW
 Voltage: 380V/220V
 Current: 32.0A/18.2A
 Poles: 4
 Torque: 7.2Nm
 Speed: 18000rpm(600Hz)
 24000rpm(800Hz)
 Cooling: Air
 NW: 32KG
 GW: 34KG
 Lubrication: Grease
 Tool interface: ISO30



PRODUCTS

Application

Automatic Tool Change spindles are applicable to woodworking CNC, and are widely used in wood processing, plastic working and other areas.

Characteristics

1. P4 grade angular contact bearings or ceramic ball bearings are used. With such bearings, the strength and stiffness of electric spindles are greatly improved and the RPM can reach 24000r/min.
2. High precision dynamic balancing testing is conducted on all rotatable parts, with the tolerance value of less than G0.4.
3. The airtight shaft bracket made of extruded aluminum raises the protection class of electric spindles to be IP54 and protects internal parts from the threat of dust.
4. Independent electric fans are equipped and used as active cooling devices. In such case, even when electric spindles stop running, independent electric fans can still provide adequate air amount required for cooling and keeps noise at a rather low level.



PRODUCTS

■ Application

Milling, Engraving, Drilling in all kinds of CNC Router machine.

■ Characteristics

1. With high precision ----- Adopt ER series collet nut, has the unique characteristics of high precision.
2. P4 grade angular contact bearings or ceramic ball bearings are used. With such bearings, the strength and stiffness of electric spindles are greatly improved and the RPM can reach 24000r/min. It can provide strong support for high efficiency and high precision processing of CNC.
3. High precision dynamic balancing testing is conducted on all rotatable parts, with the tolerance value of less than G0.4.
4. The airtight shaft bracket made of extruded aluminum raises the protection class of electric spindles to be IP50 and protects internal parts from the threat of dust.

STF47-82-1.5

KW:1.5

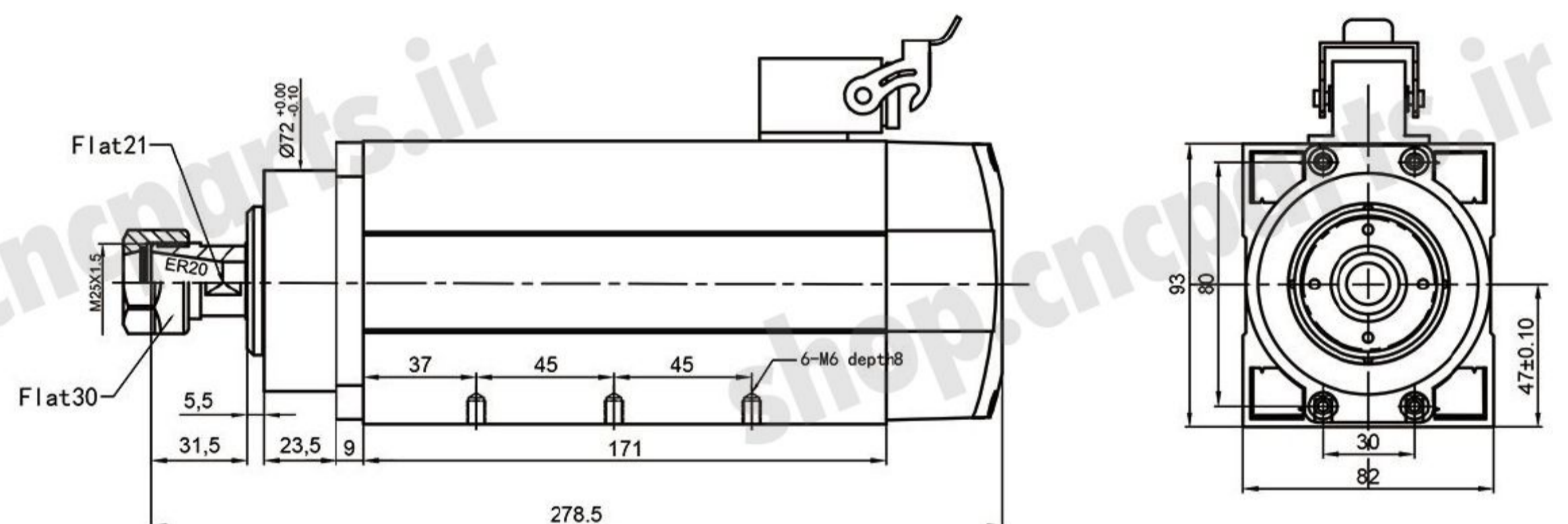
RPM:18000

Hz:300

Volt:220/380

AMP:5.8/3.2

Collet:ER20



STF47-82-2.2

KW:2.2

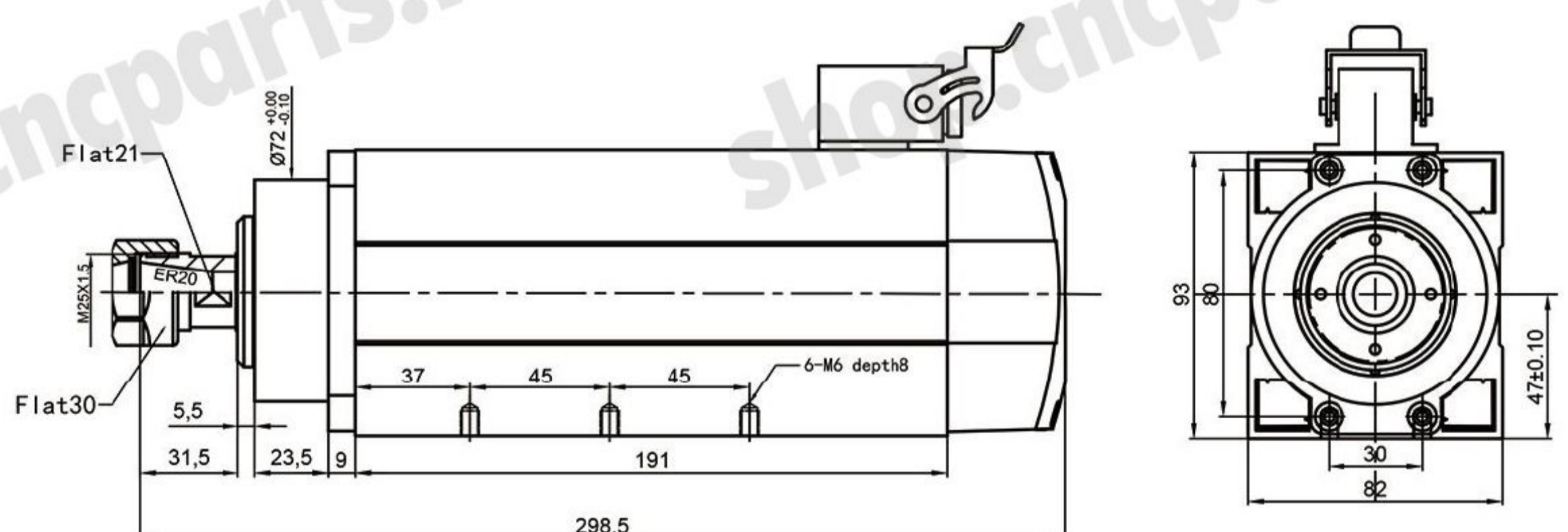
RPM:18000

Hz:300

Volt:220/380

AMP:7.9/4.6

Collet:ER20





STF47-82-3.5

KW:3.5

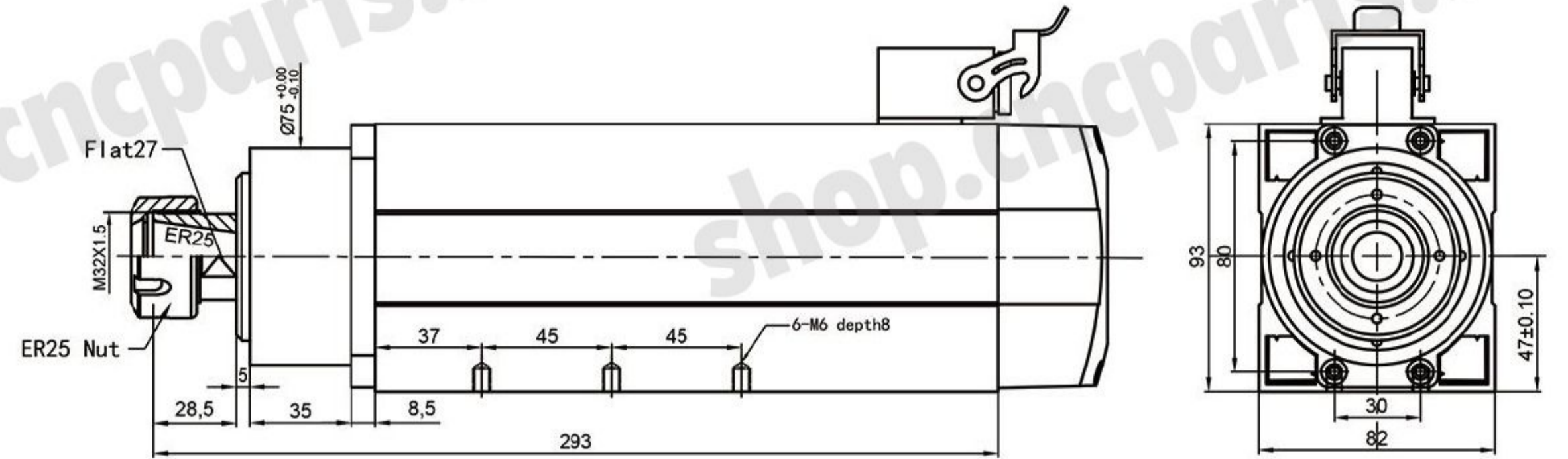
RPM:18000

Hz:300

Volt:220/380

AMP:12.1/7.2

Collet:ER25



STF60-103-4.5

KW:4.5

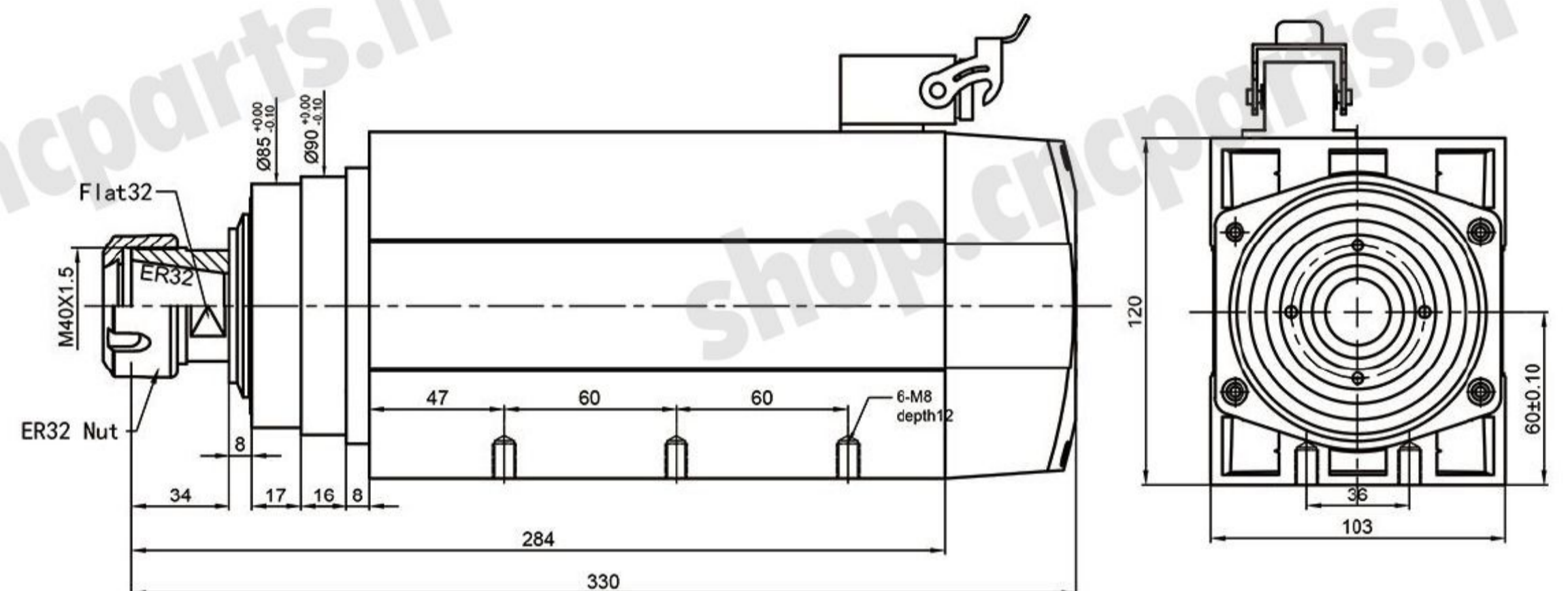
RPM:18000

Hz:300

Volt:220/380

AMP:15.2/9.1

Collet:ER32



STF60-103-6.0

KW:6.0

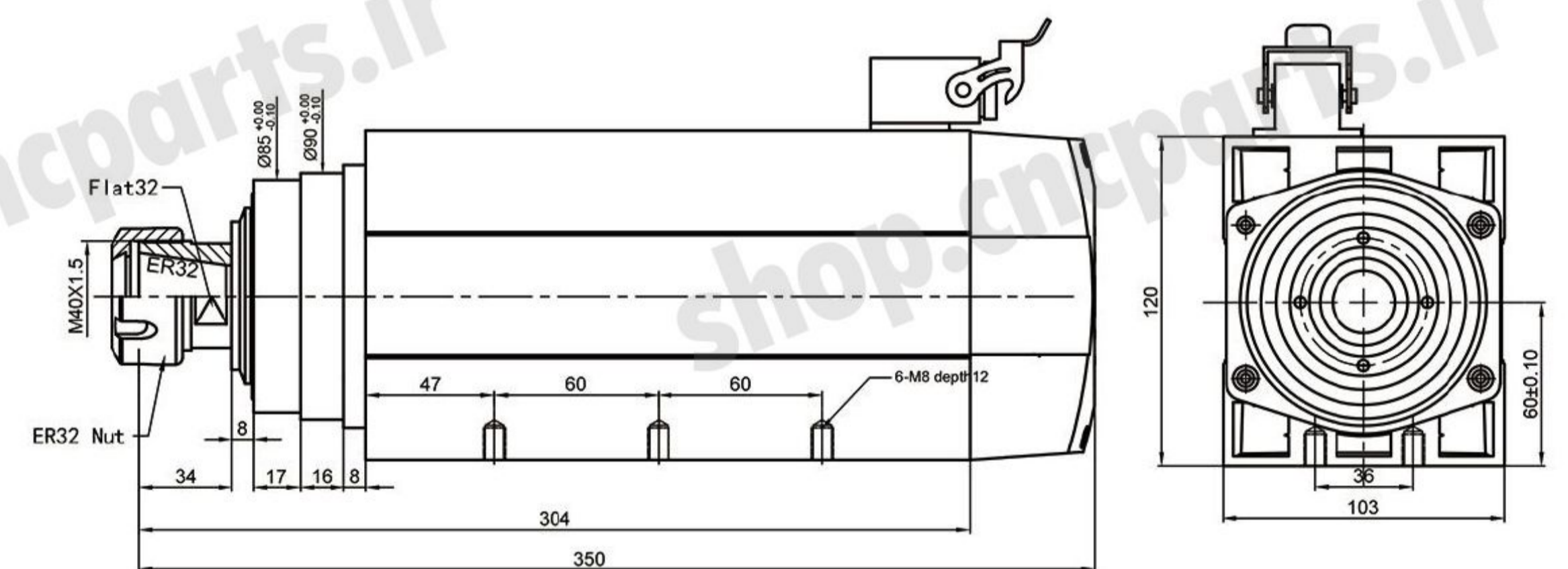
RPM:18000

Hz:300

Volt:220/380

AMP:21.1/12.1

Collet:ER32



STF60-103-7.5

KW:7.5

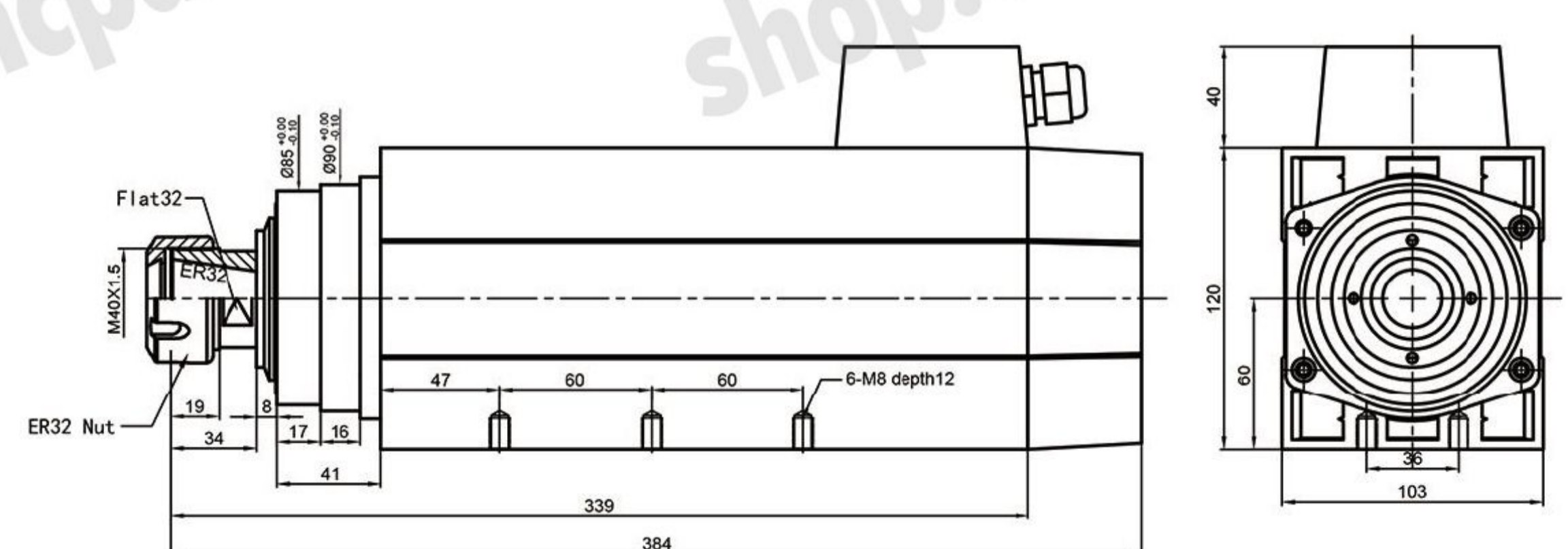
RPM:18000

Hz:300

Volt:220/380

AMP:26.2/15.3

Collet:ER32





PRODUCTS

■ Application

Milling, Engraving, Drilling in all kinds of CNC Router machine.

■ Characteristics

1. Save costs and time——With flanges, customers can have fewer mounting plates and are more convenient
2. With high precision ----- Adopt ER series collet nut, has the unique characteristics of high precision.
3. P4 grade angular contact bearings or ceramic ball bearings are used. With such bearings, the strength and stiffness of electric spindles are greatly improved and the RPM can reach 24000r/min. It can provide strong support for high efficiency and high precision processing of CNC.
4. High precision dynamic balancing testing is conducted on all rotatable parts, with the tolerance value of less than G0.4.
5. The airtight shaft bracket made of extruded aluminum raises the protection class of electric spindles to be IP50 and protects internal parts from the threat of dust.

STF36-110B-2.2

KW:2.2

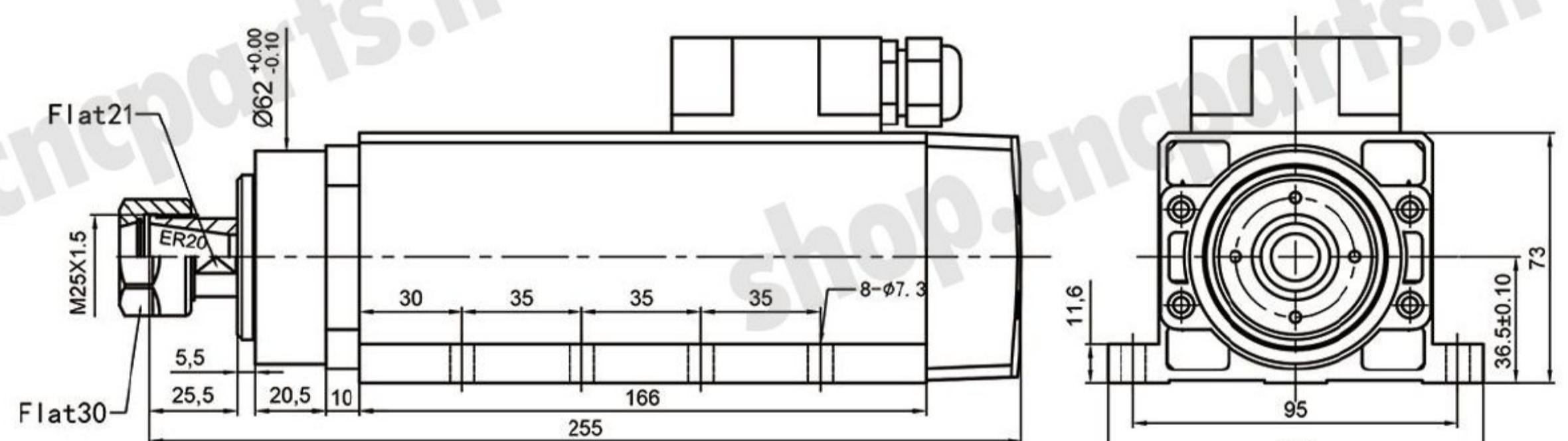
RPM:18000

Hz:300

Volt:380

AMP:4.6

Collet:ER20



STF47-110B-1.5

KW:1.5

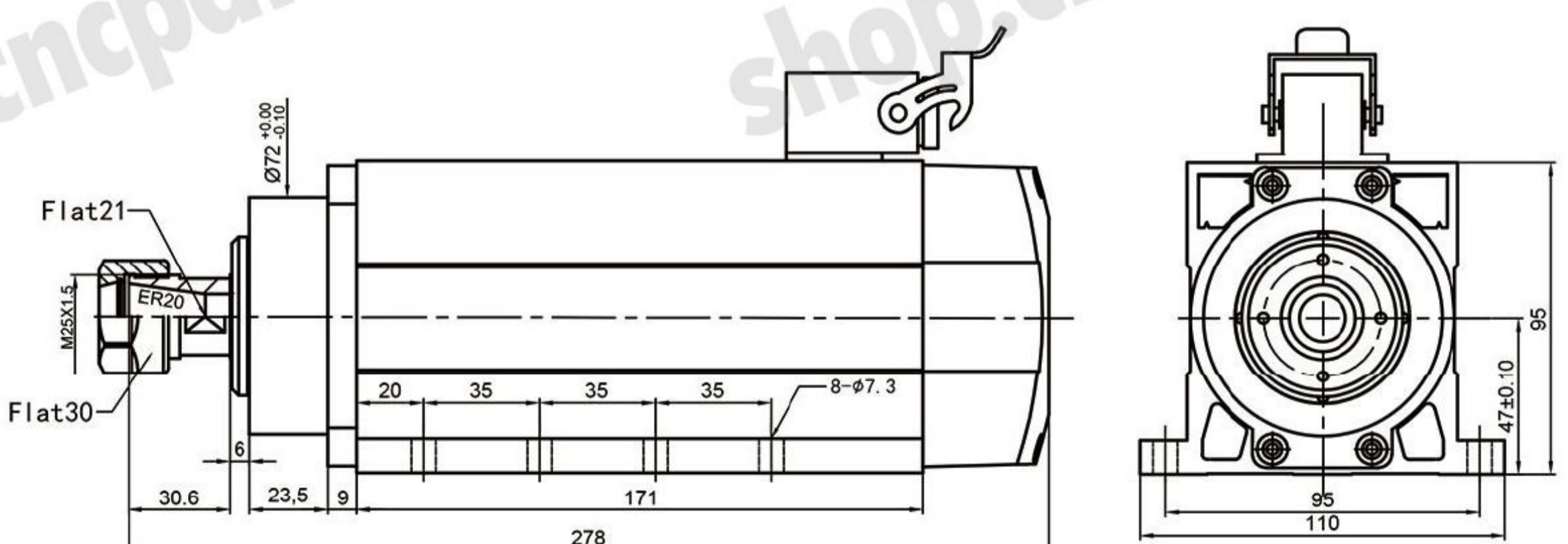
RPM:18000

Hz:300

Volt:220/380

AMP:5.8/4.6

Collet:ER20





STF47-110B-2.2

KW:2.2

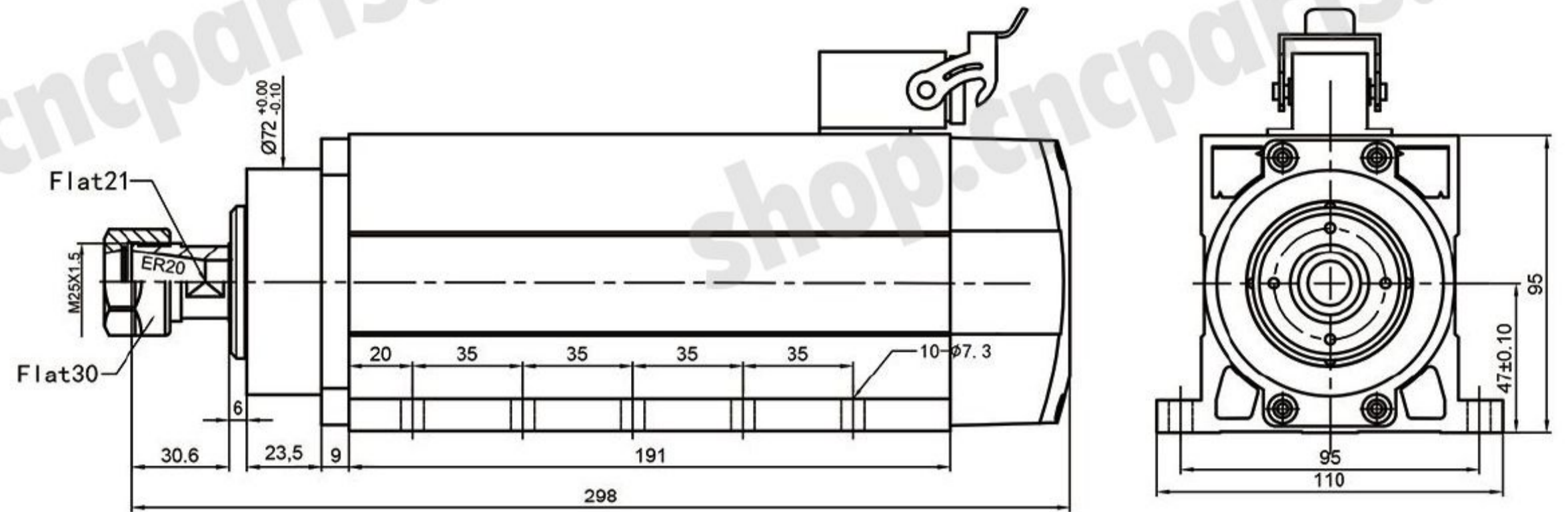
RPM:18000

Hz:300

Volt:220/380

AMP:7.9/4.6

Collet:ER20



STF53-134B-2.2

KW:2.2

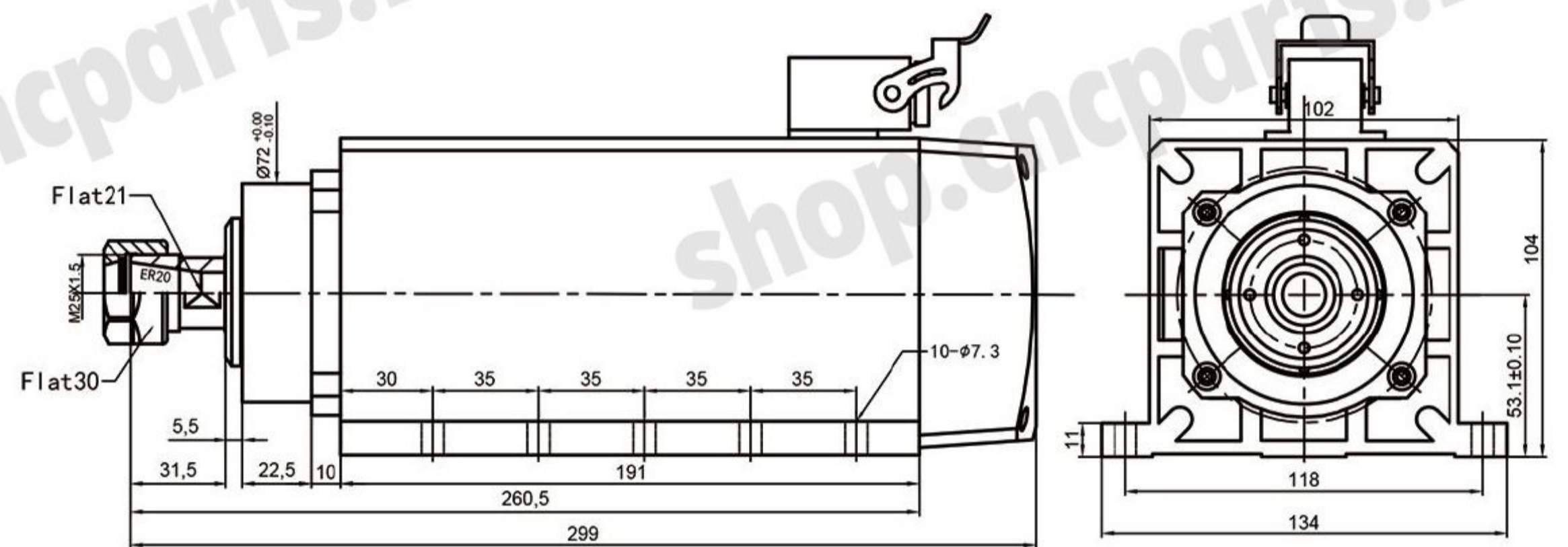
RPM:18000

Hz:300

Volt:220/380

AMP:7.9/4.6

Collet:ER20



STF53-134B-3.5

KW:3.5

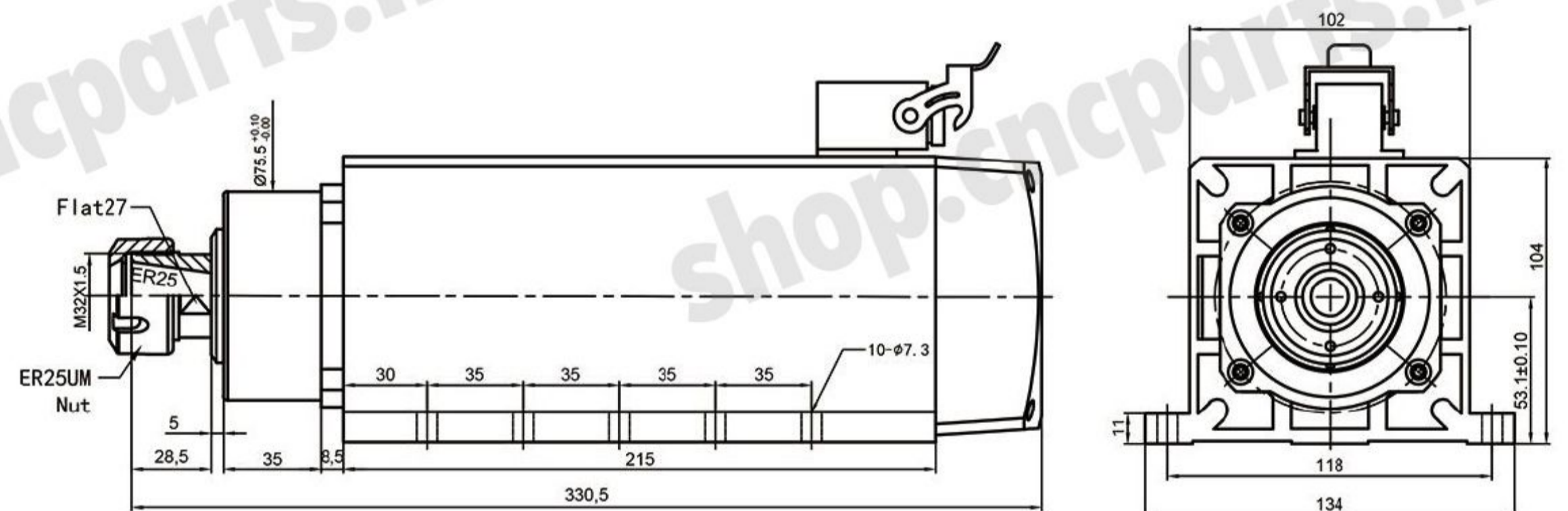
RPM:18000

Hz:300

Volt:220/380

AMP:12.1/7.2

Collet:ER25



STF52-156B-4.5

KW:4.5

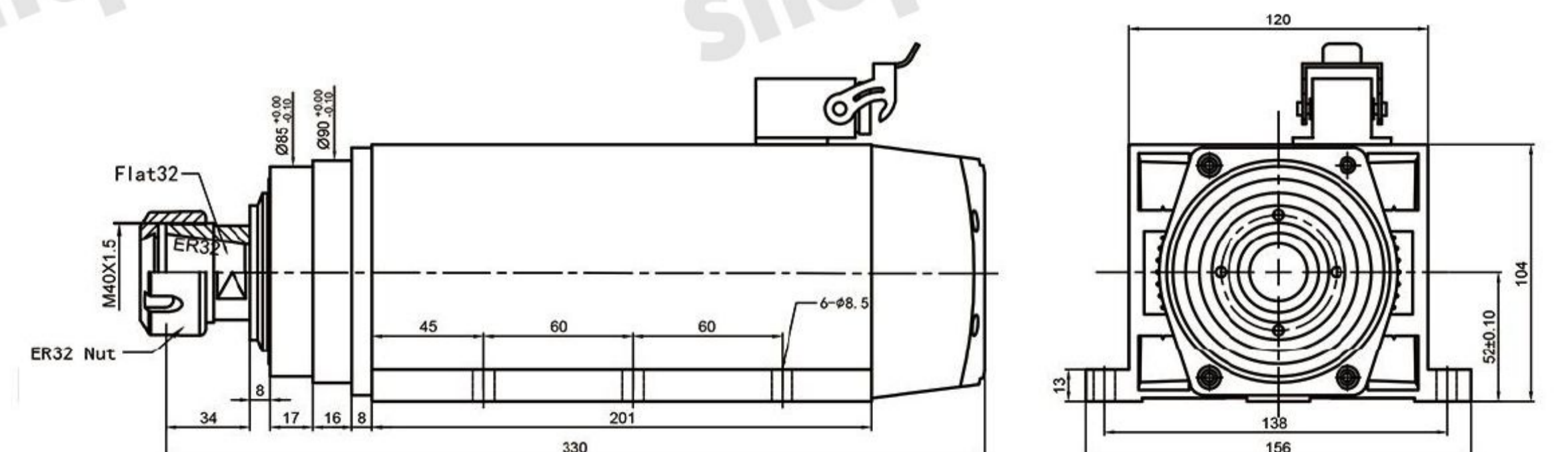
RPM:18000

Hz:300

Volt:220/380

AMP:15.2/9.1

Collet:ER32





STF52-156B-6.0

KW:6.0

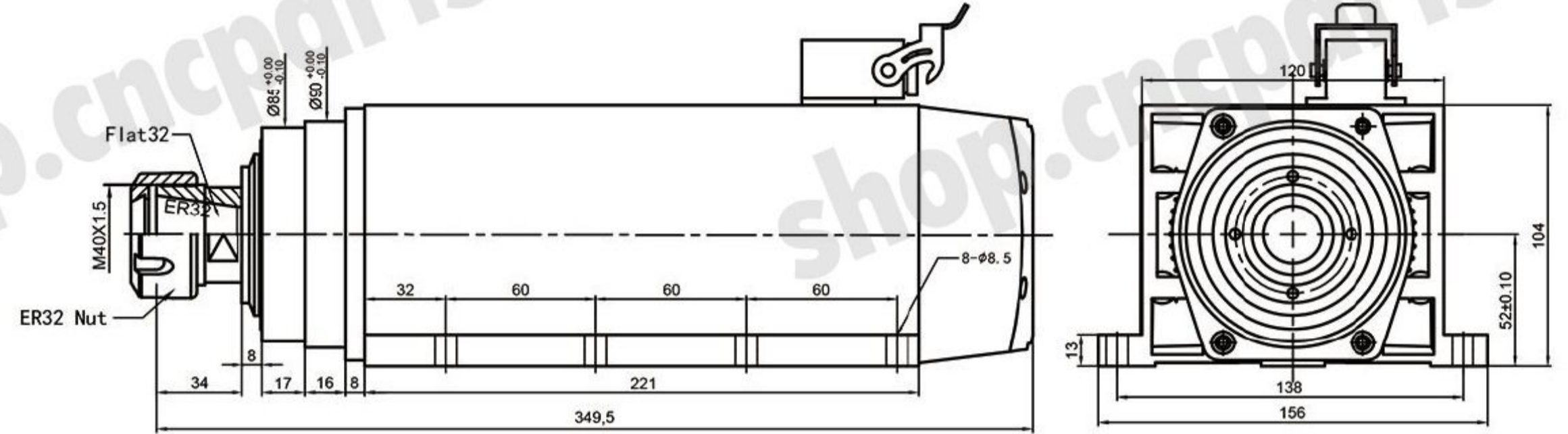
RPM:18000

Hz:300

Volt:220/380

AMP:21.1/12.1

Collet:ER32



STF52-156B-7.5

KW:7.5

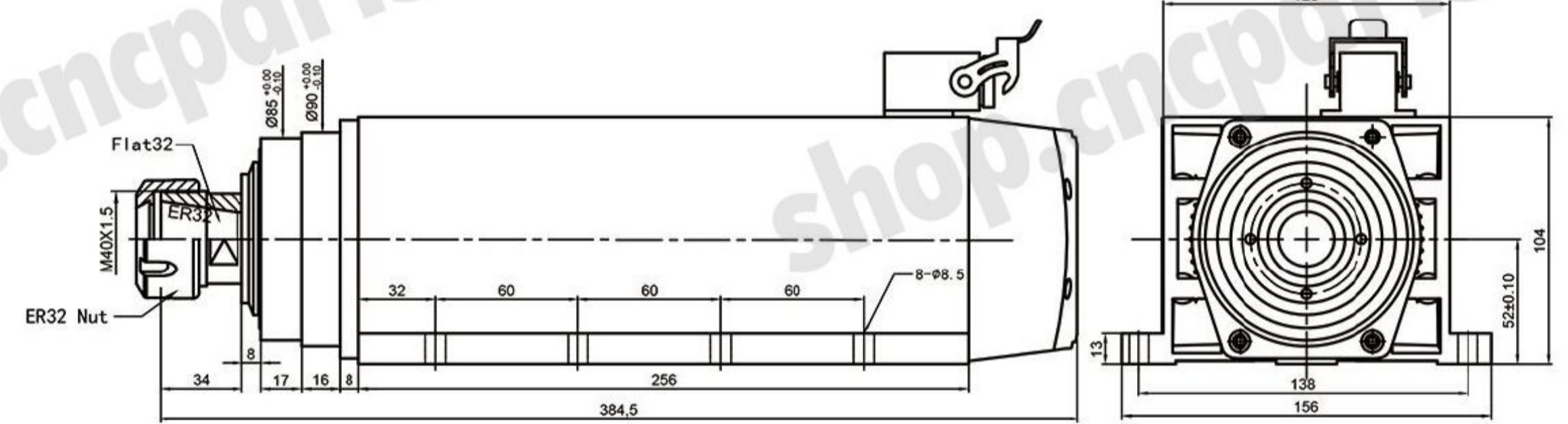
RPM:18000

Hz:300

Volt:220/380

AMP:26.2/15.3

Collet:ER32



STF60-135B-4.5

KW:4.5

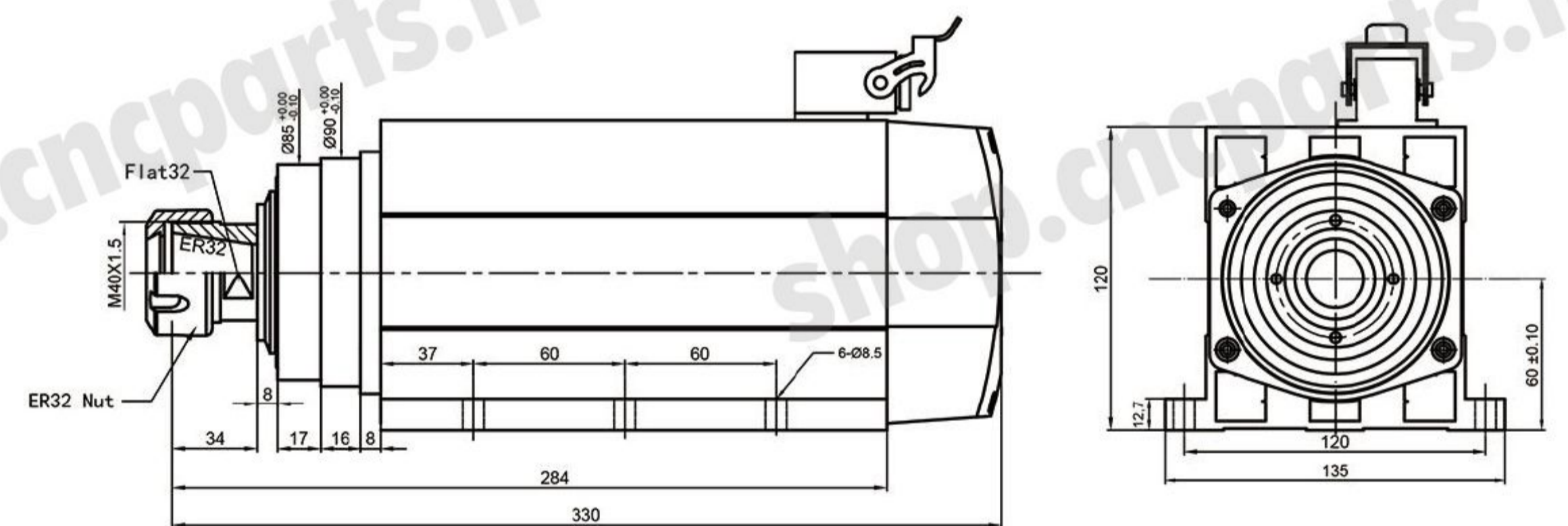
RPM:18000

Hz:300

Volt:220/380

AMP:15.1/9.1

Collet:ER32



STF60-135B-6.0

KW:6.0

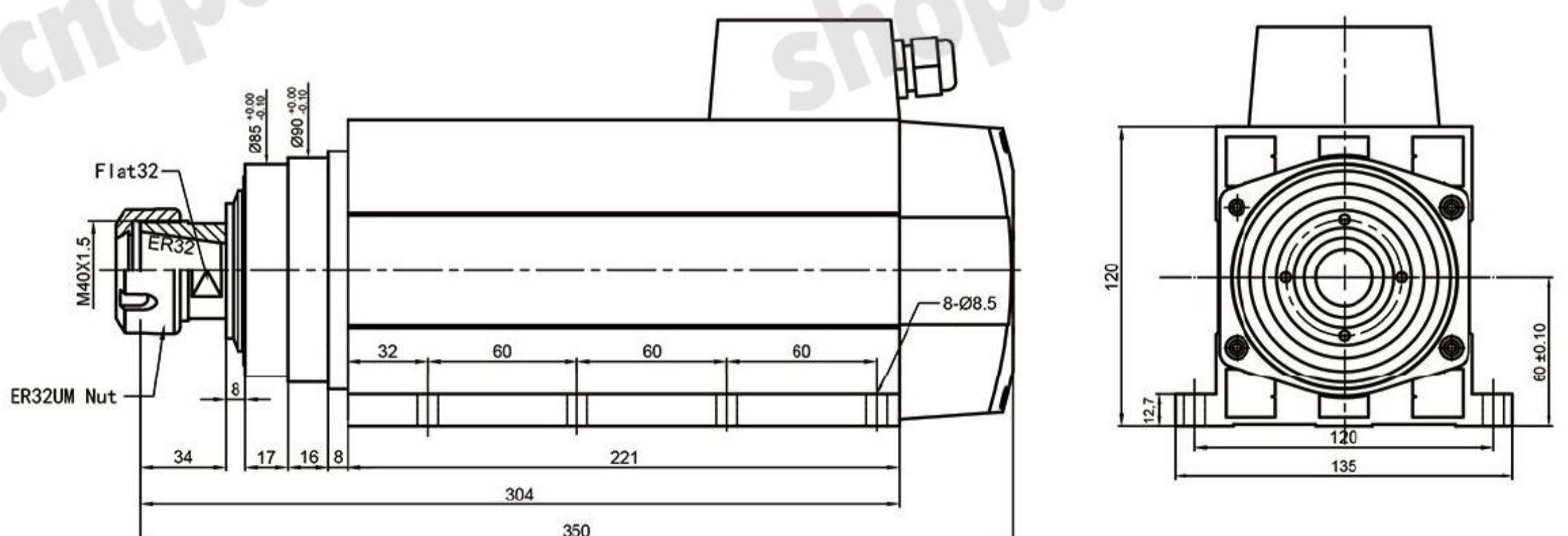
RPM:18000

Hz:300

Volt:220/380

AMP:21.1/12.1

Collet:ER32





PRODUCTS

Application

Milling, Engraving, Drilling in all kinds of CNC Router machine.

Characteristics

1. Low noise——With independent electronic fan. It's more human and comfortable.
2. With high precision ----- Adopt ER series collet nut, has the unique characteristics of high precision.
3. P4 grade angular contact bearings or ceramic ball bearings are used. With such bearings, the strength and stiffness of electric spindles are greatly improved and the RPM can reach 24000r/min. It can provide strong support for high efficiency and high precision processing of CNC.
4. High precision dynamic balancing testing is conducted on all rotatable parts, with the tolerance value of less than G0.4.
5. The airtight shaft bracket made of extruded aluminum raises the protection class of electric spindles to be IP50 and protects internal parts from the threat of dust.

STF60-103-4.5D

KW:4.5

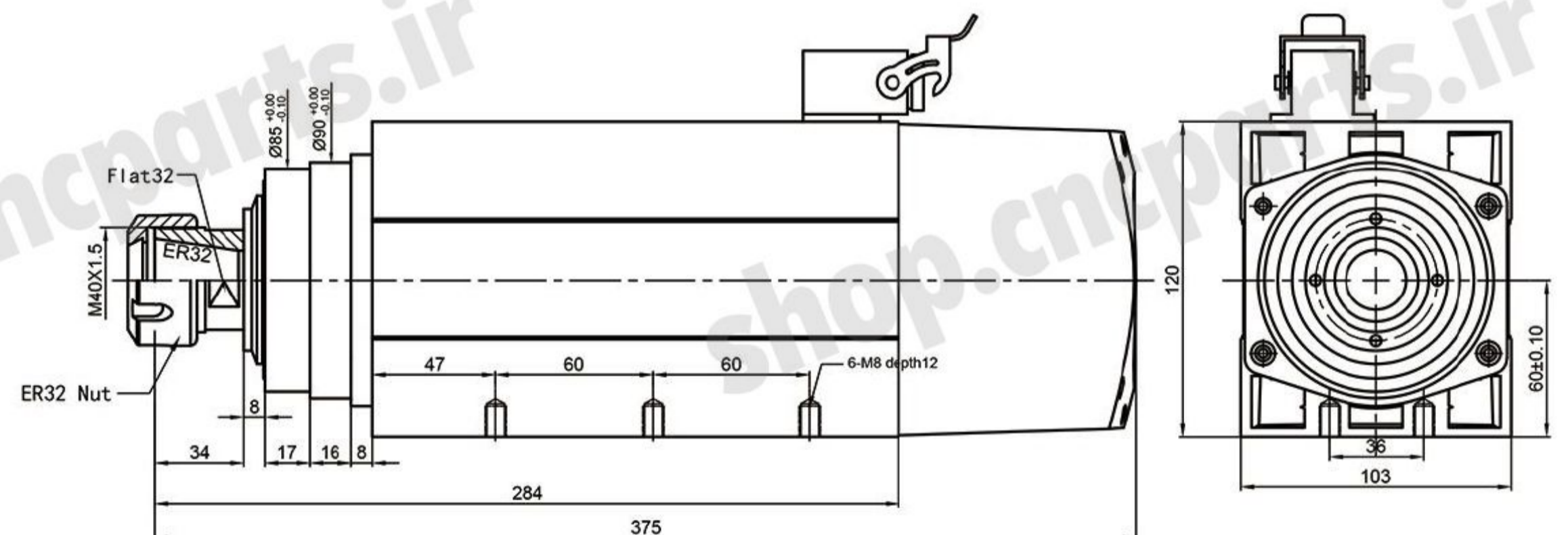
RPM:18000

Hz:300

Volt:220/380

AMP:15.0/9.8

Collet:ER32



STF60-103-6.0D

KW:6.0

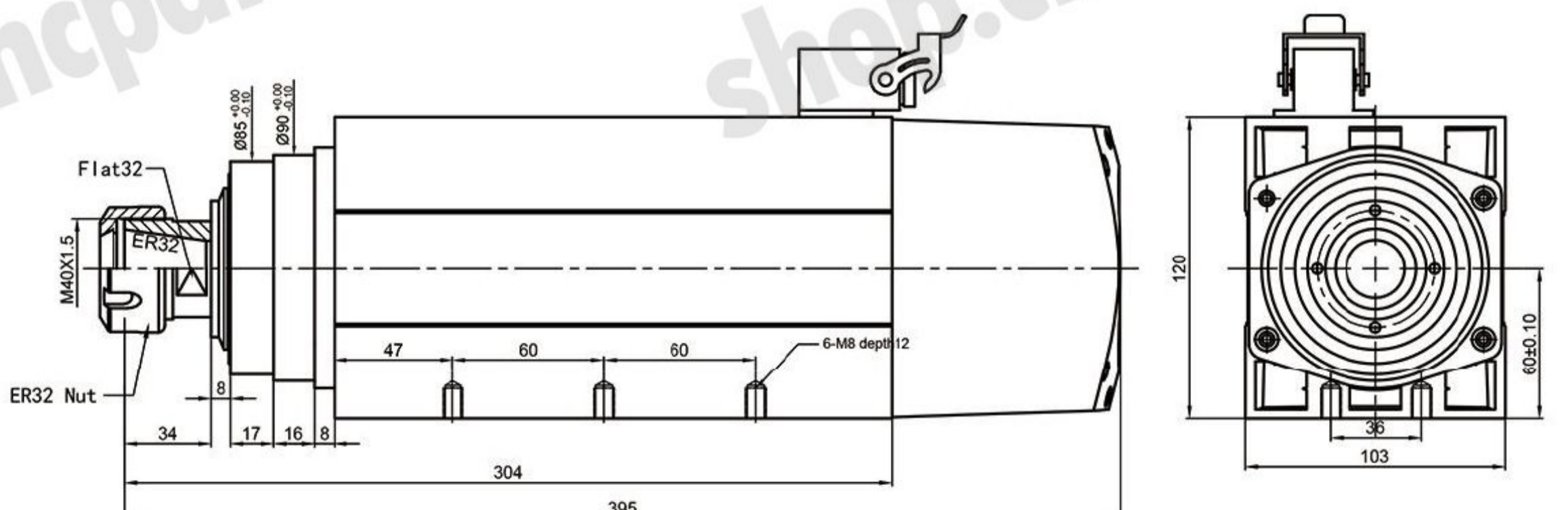
RPM:18000

Hz:300

Volt:220/380

AMP:21.5/12.0

Collet:ER32





STF52-156B-4.5D

KW:4.5

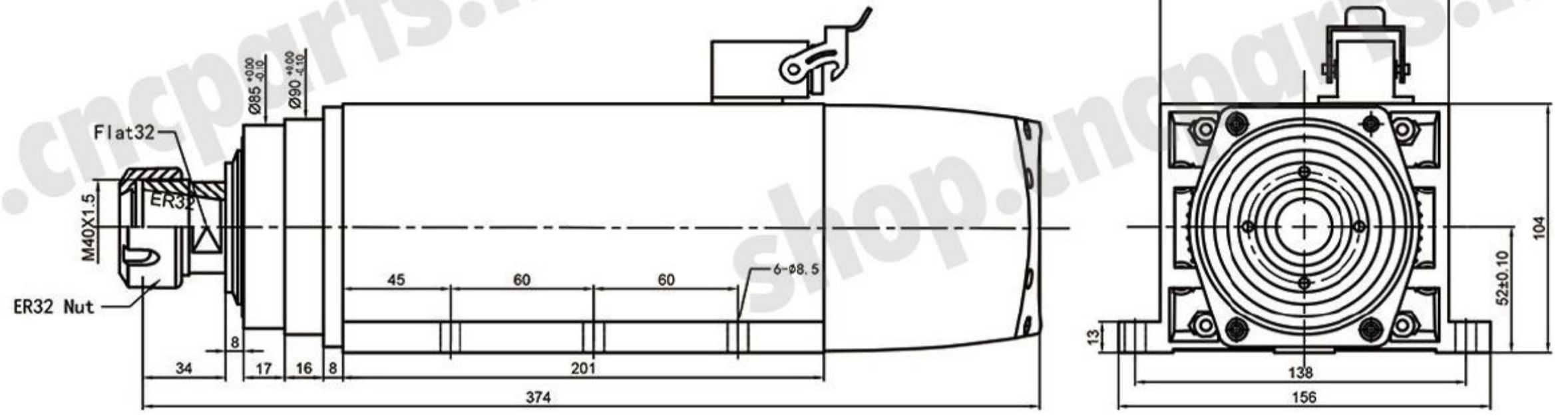
RPM:18000

Hz:300

Volt:220/380

AMP:15.0/9.8

Collet:ER32



STF52-156B-6.0D

KW:6.0

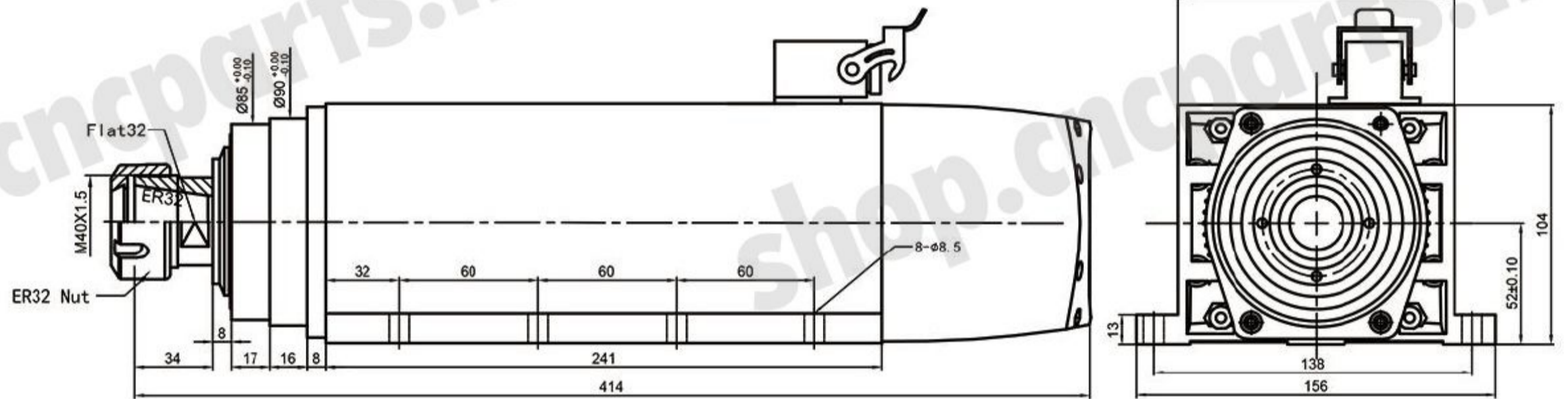
RPM:18000

Hz:300

Volt:220/380

AMP:21.5/12.0

Collet:ER32



STF60-135B-4.5D

KW:4.5

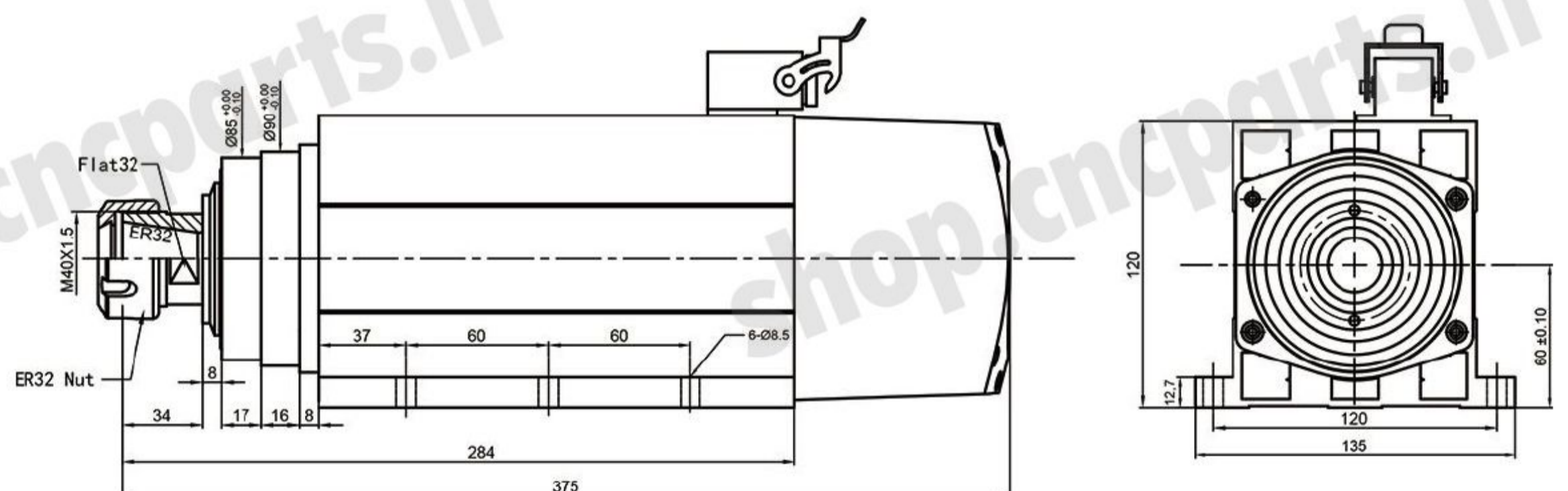
RPM:18000

Hz:300

Volt:220/380

AMP:15.0/9.8

Collet:ER32



STF60-135B-6.0D

KW:6.0

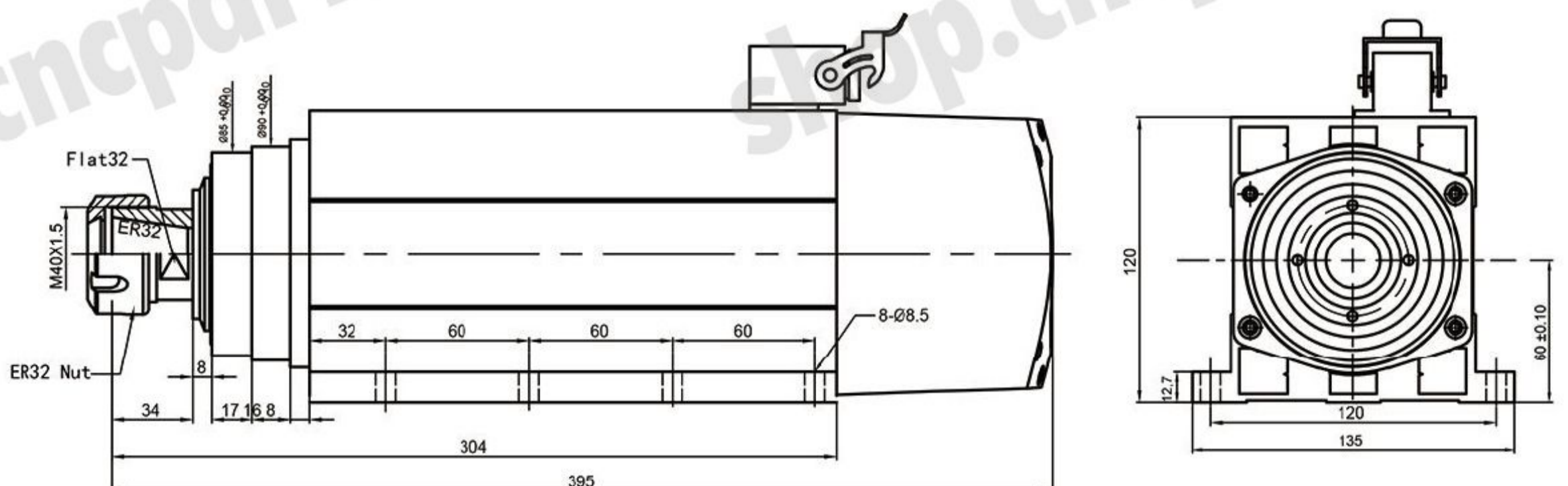
RPM:18000

Hz:300

Volt:220/380

AMP:21.5/12.0

Collet:ER32





PRODUCTS

Application

Milling, Engraving, Drilling in all kinds of CNC Router machine.

Characteristics

1. Smaller and lighter body. This means it is cheaper than square air spindles.
2. With high precision—Adopt ER series collet nut, has the unique characteristics of high precision.
3. P4 grade angular contact bearings or ceramic ball bearings are used. With such bearings, the strength and stiffness of electric spindles are greatly improved and the RPM can reach 24000r/min. It can provide strong support for high efficiency and high precision processing of CNC.
5. The airtight shaft bracket made of extruded aluminum raises the protection class of electric spindles to be IP50 and protects internal parts from the threat of dust.

STF65-0.8

KW:0.8

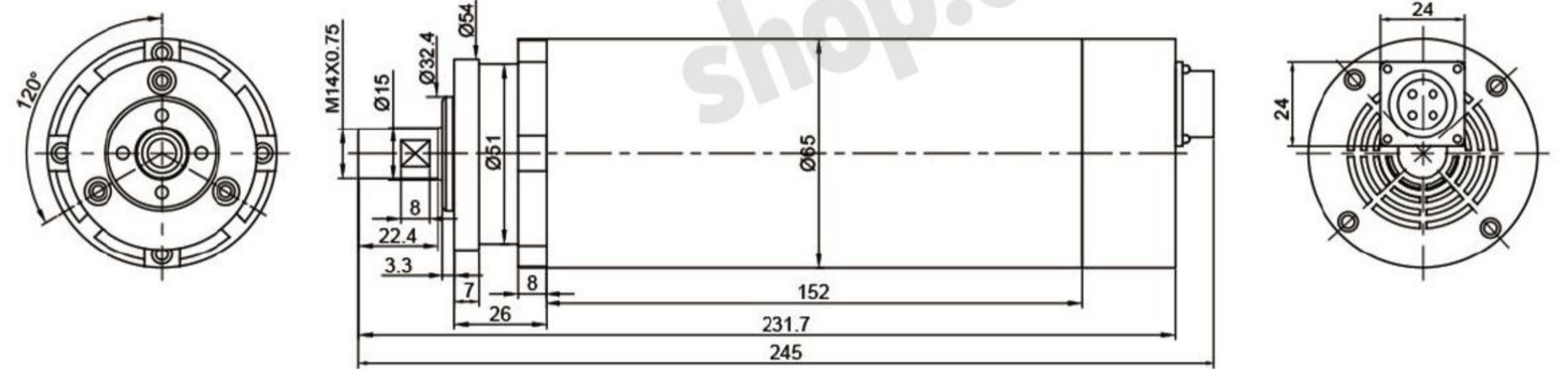
RPM:24000

Hz:400

Volt:220

AMP:2.5

Collet:ER11



STF80-1.5

KW:1.5

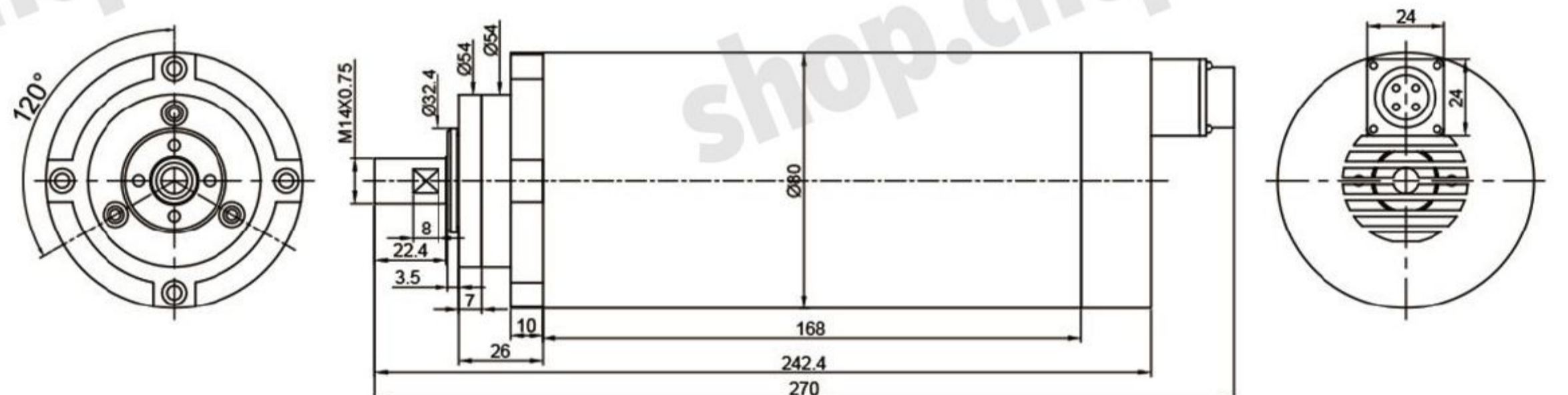
RPM:24000

Hz:400

Volt:220

AMP:6.0

Collet:ER11



STF80-2.2

KW:2.2

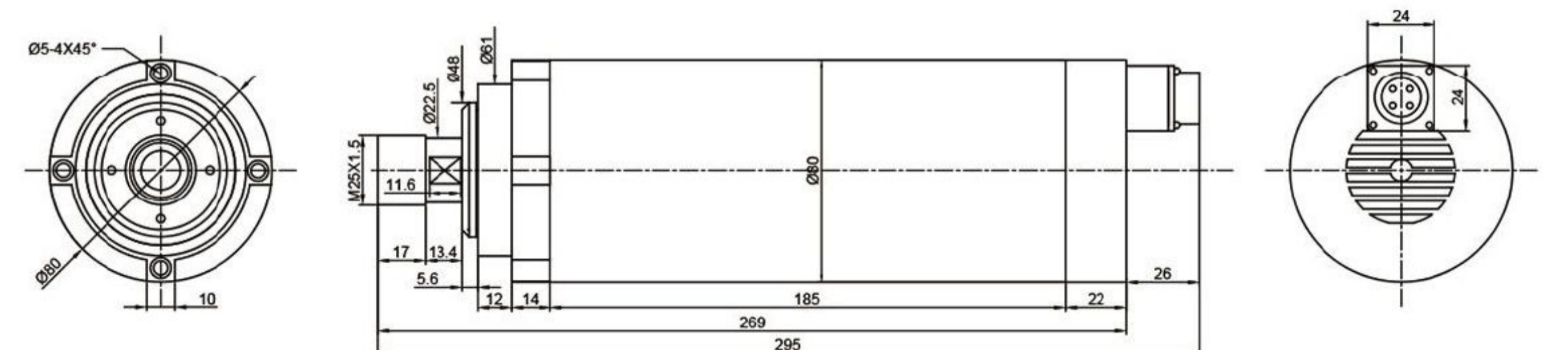
RPM:24000

Hz:400

Volt:220

AMP:8.0

Collet:ER20





PRODUCTS

Application

Milling, Engraving, Drilling in all kinds of CNC Router machine. Especially suitable for woodworking machine.

Characteristics

1. Low noise——With watercooling system. The noise is very low.
2. With high precision ----- Adopt ER series collet nut, has the unique characteristics of high precision.
3. P4 grade angular contact bearings or ceramic ball bearings are used. With such bearings, the strength and stiffness of electric spindles are greatly improved and the RPM can reach 24000r/min. It can provide strong support for high efficiency and high precision processing of CNC.
4. High precision dynamic balancing testing is conducted on all rotatable parts, with the tolerance value of less than G0.4.
5. The airtight shaft bracket made of extruded aluminum raises the protection class of electric spindles to be IP50 and protects internal parts from the threat of dust.

STZ65-0.8

KW:0.8

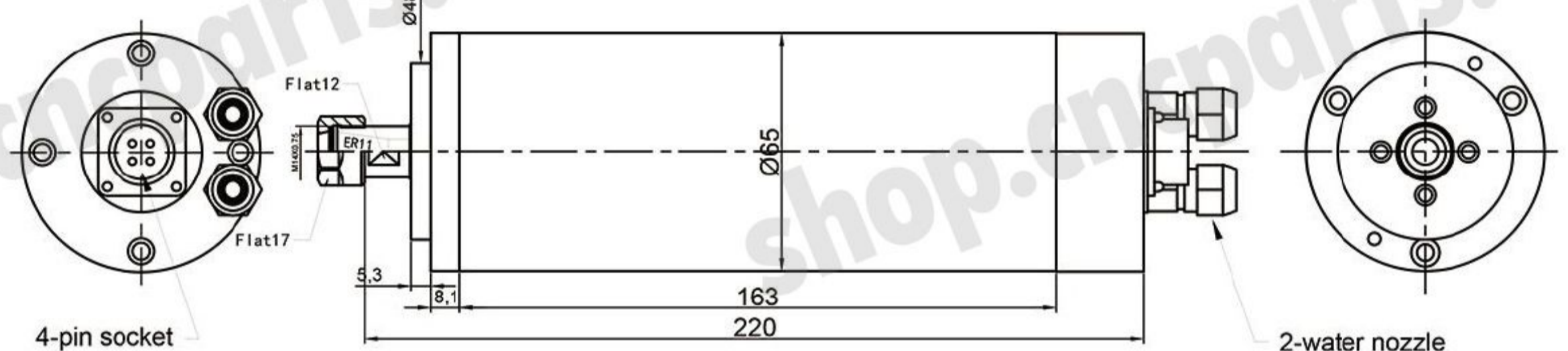
RPM:24000

Hz:400

Volt:220

AMP:2.5

Collet:ER11



STZ80-1.5

KW:1.5

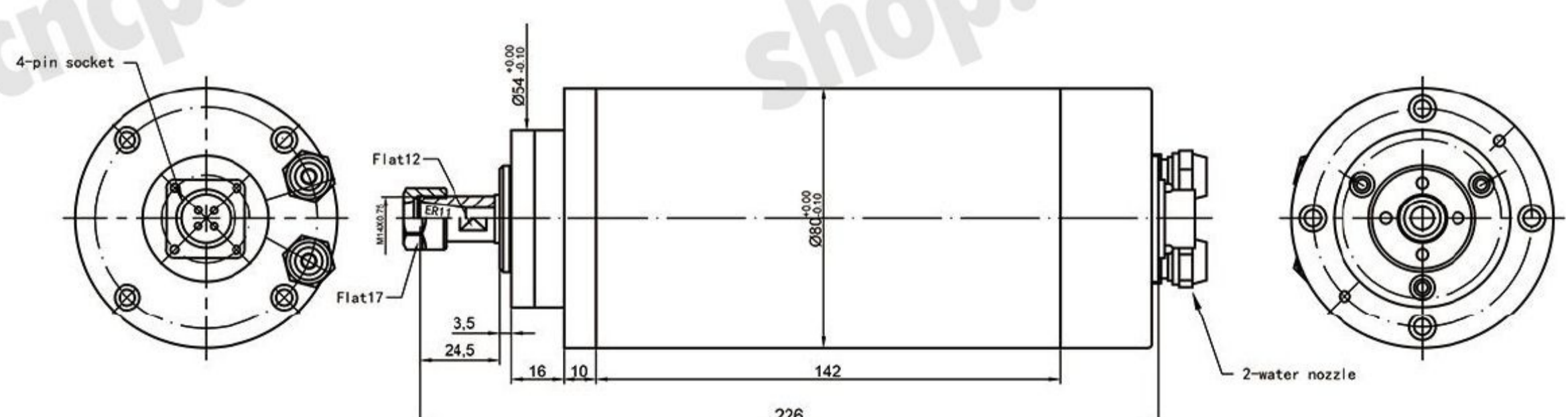
RPM:24000

Hz:400

Volt:220

AMP:6.0

Collet:ER11





STZ80-1.5

KW:1.5

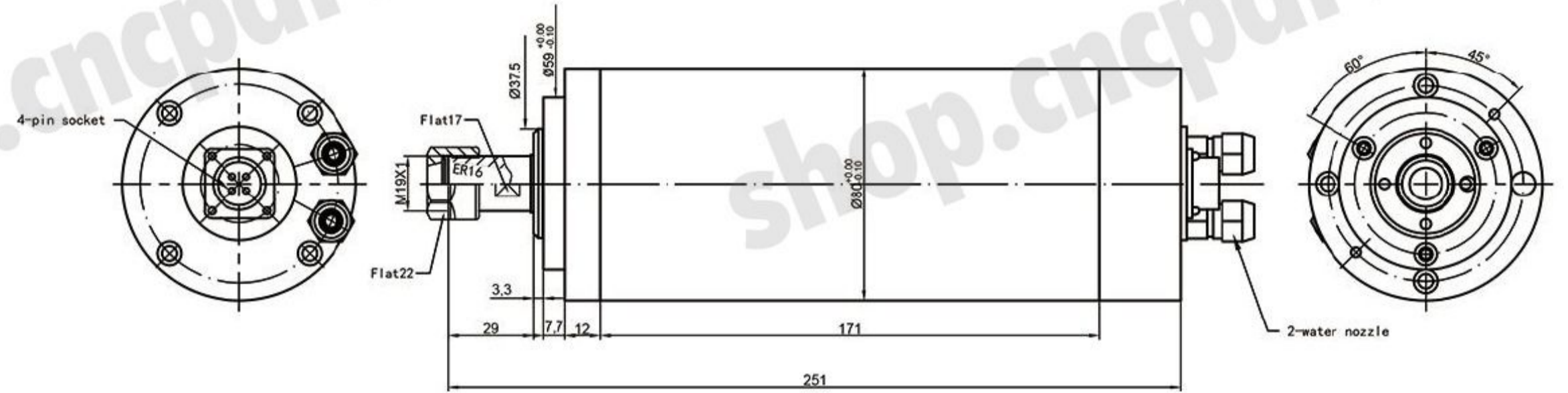
RPM:24000

Hz:400

Volt:220

AMP:6.0

Collet:ER16



STZ80-2.2

KW:2.2

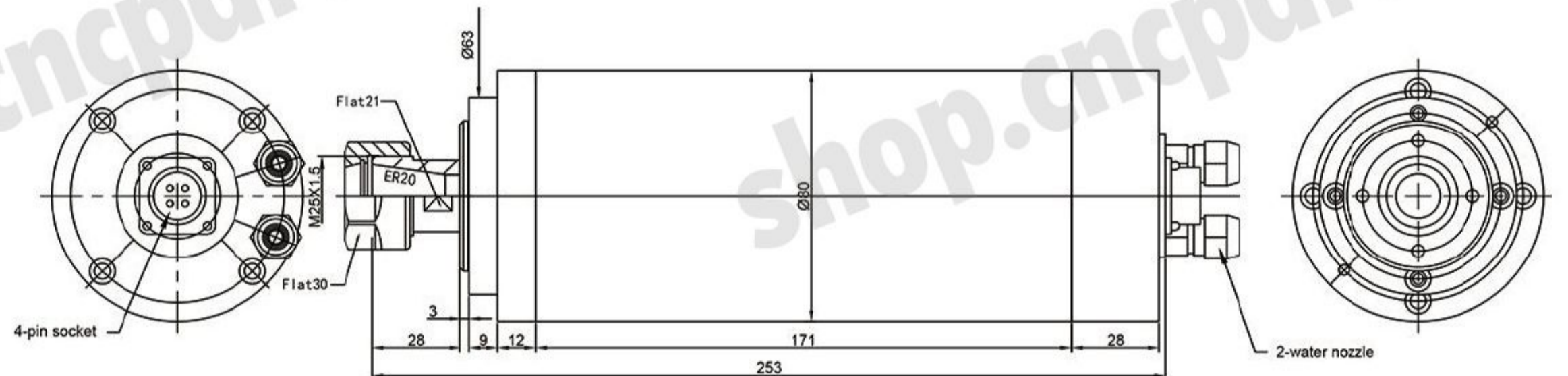
RPM:24000

Hz:400

Volt:220/380

AMP:9.0/5.1

Collet:ER20



STZ80-2.2L

KW:2.2

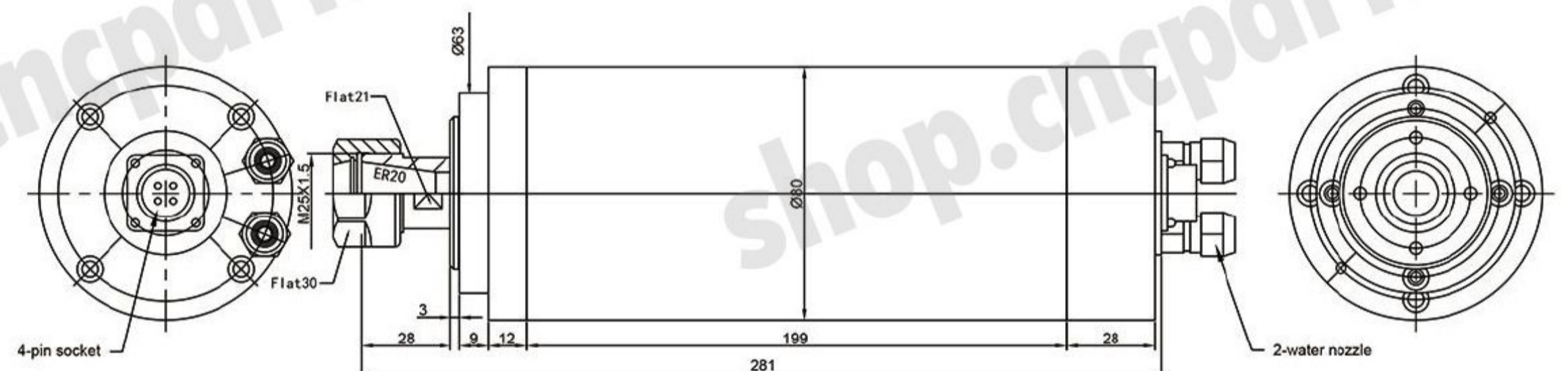
RPM:24000

Hz:400

Volt:220/380

AMP:9.8/5.6

Collet:ER20



STZ100-3.2

KW:3.2

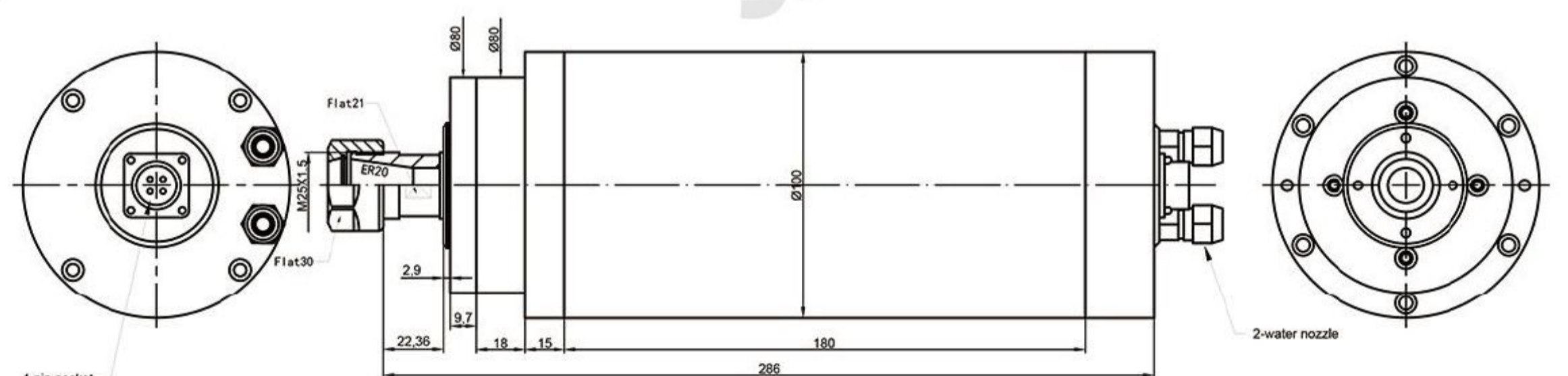
RPM:24000

Hz:400

Volt:220/380

AMP:13.8/9.8

Collet:ER20





STZ100-3.7Z

KW:3.7

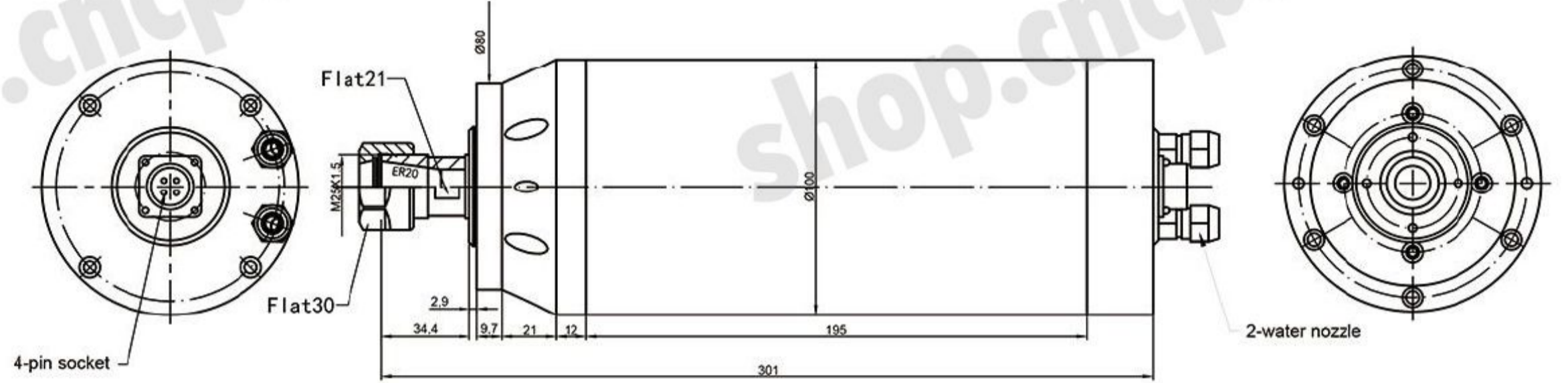
RPM:24000

Hz:400

Volt:380

AMP:10

Collet:ER20



STZ105-3.7

KW:3.7

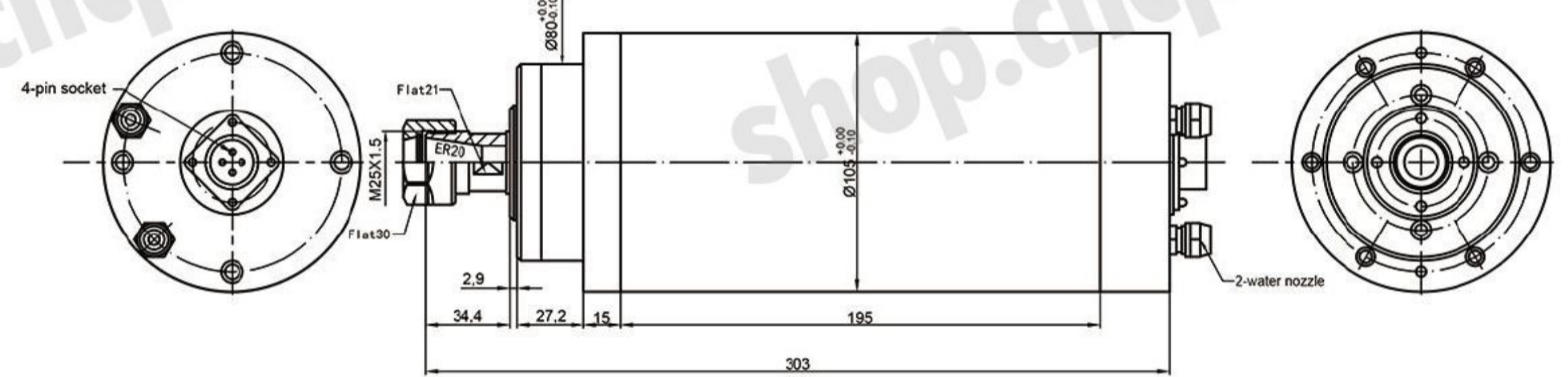
RPM:24000

Hz:400

Volt:380

AMP:10

Collet:ER20



STZ125-5.5Z

KW:5.5

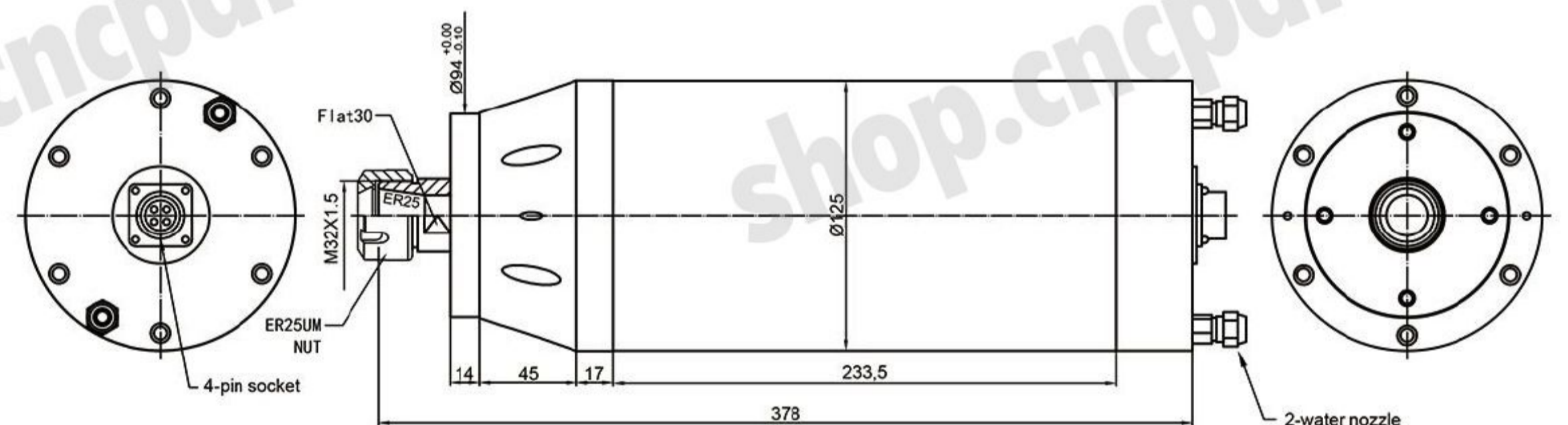
RPM:24000

Hz:400

Volt:380

AMP:14.5

Collet:ER25



STZ125-7.5Z

KW:7.5

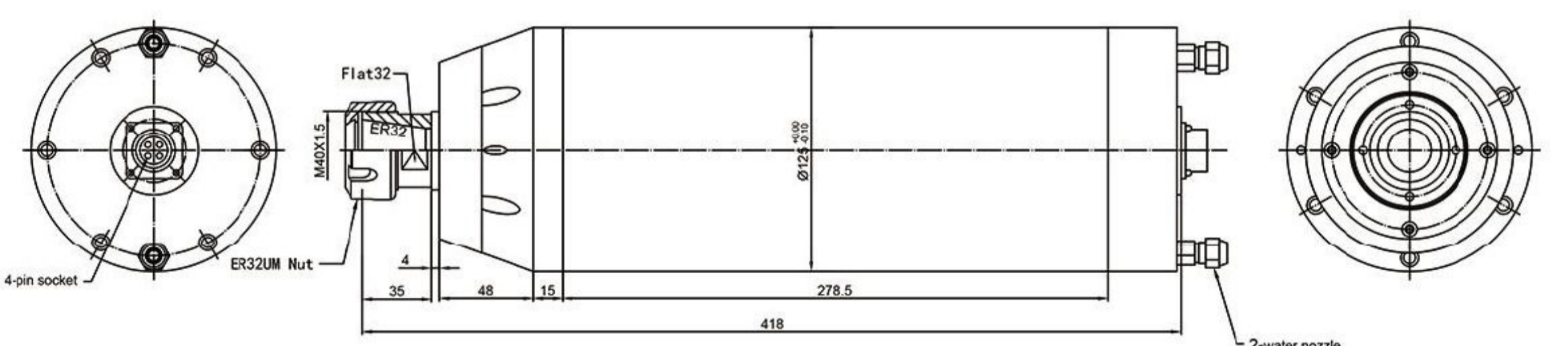
RPM:24000

Hz:400

Volt:380

AMP:14.5

Collet:ER32





PRODUCTS

Application

Milling, Engraving, Drilling in all kinds of CNC Router machine. Especially suitable for light metalworking machine.

Characteristics

1. Low noise—With watercooling system. The noise is very low.
2. With high precision ----- Adopt ER series collet nut, has the unique characteristics of high precision.
3. P4 grade angular contact bearings or ceramic ball bearings are used. With such bearings, the strength and stiffness of electric spindles are greatly improved and the RPM can reach 24000r/min. It can provide strong support for high efficiency and high precision processing of CNC.
4. High precision dynamic balancing testing is conducted on all rotatable parts, with the tolerance value of less than G0.4.
5. The airtight shaft bracket made of extruded aluminum raises the protection class of electric spindles to be IP50 and protects internal parts from the threat of dust.

STM62-0.8

KW:0.8

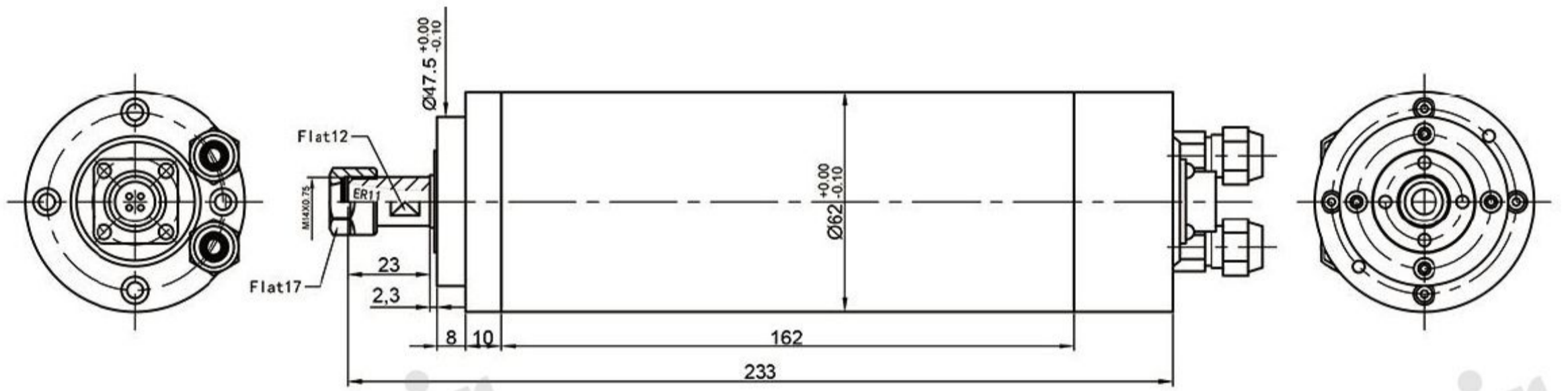
RPM:24000

Hz:400

Volt:220

AMP:3.0

Collet:ER11



STM80-1.5

KW:1.5

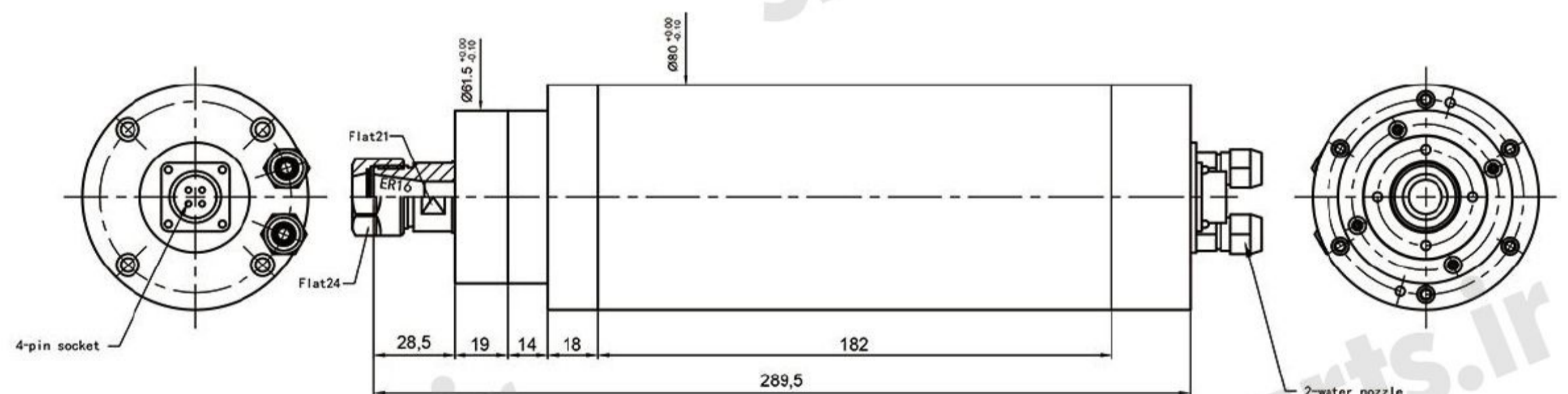
RPM:24000

Hz:400

Volt:220

AMP:5.6

Collet:ER16



STM80-2.2

KW:2.2

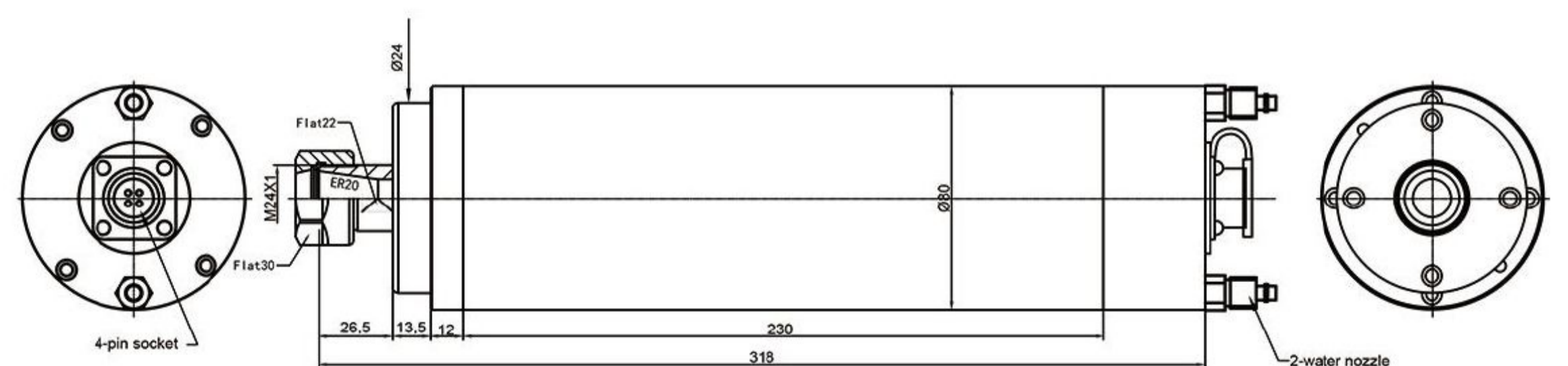
RPM:24000

Hz:400

Volt:220

AMP:7.5

Collet:ER20





PRODUCTS

Application

Trimming, Milling, Engraving, Drilling in all kinds of edge banding machine and CNC machine.

Characteristics

1. Small body——It's more human and comfortable.
2. The strength and stiffness of electric spindles are good. It can provide strong support for high efficiency and high precision processing of edge banding machine and CNC.
3. The airtight shaft bracket made of extruded aluminum raises the protection class of electric spindles to be IP50 and protects internal parts from the threat of dust.

STFB35-68-0.75-A

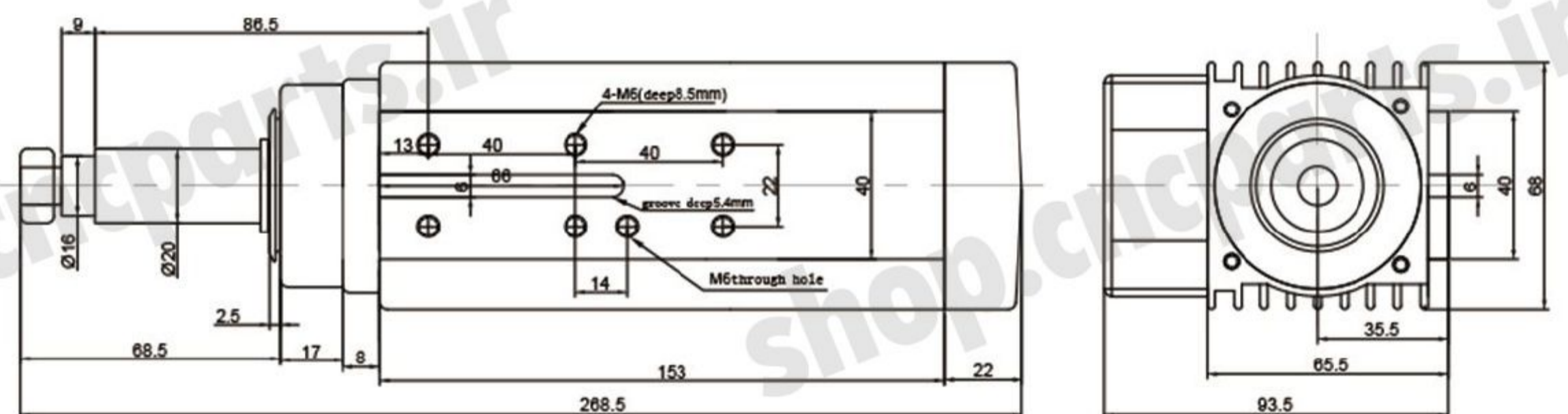
KW:0.75

RPM:18000

Hz:300

Volt:220/380

AMP:3.0/1.75



STFB35-68-0.37-A

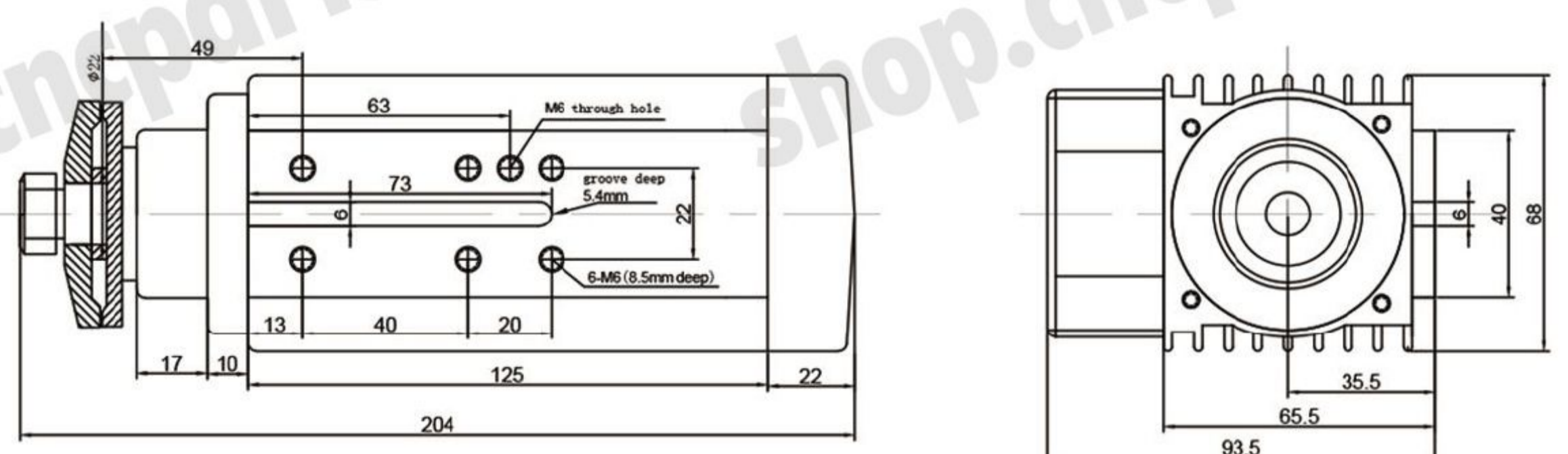
KW:0.37

RPM:18000

Hz:300

Volt:220/380

AMP:1.73/1





STFB35-68-0.75-ER16

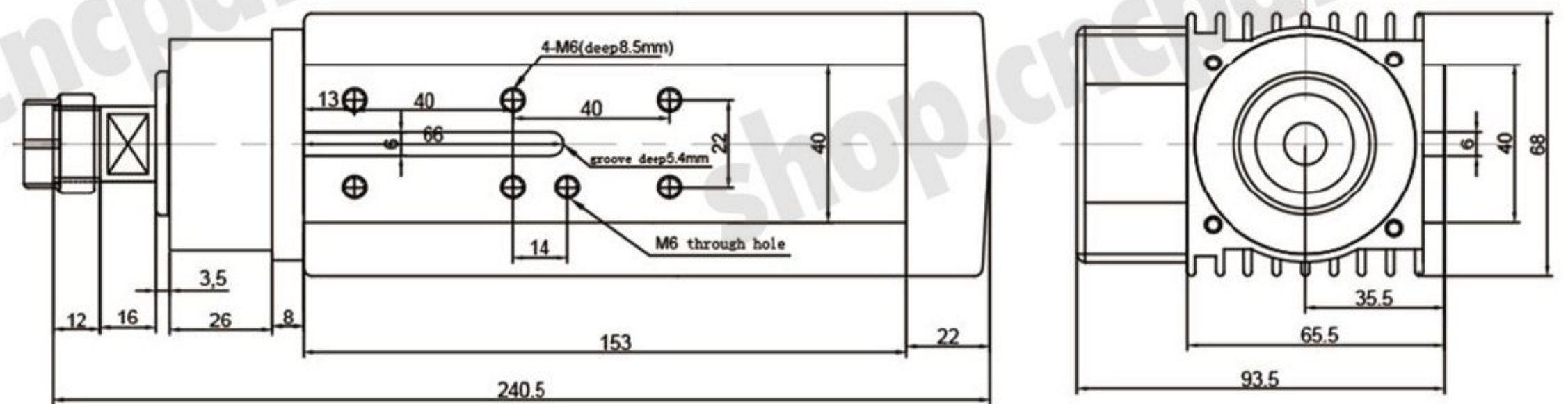
KW:0.75

RPM:18000

Hz:300

Volt:220/380

AMP:3.0/1.75



STFB35-68-0.75-B

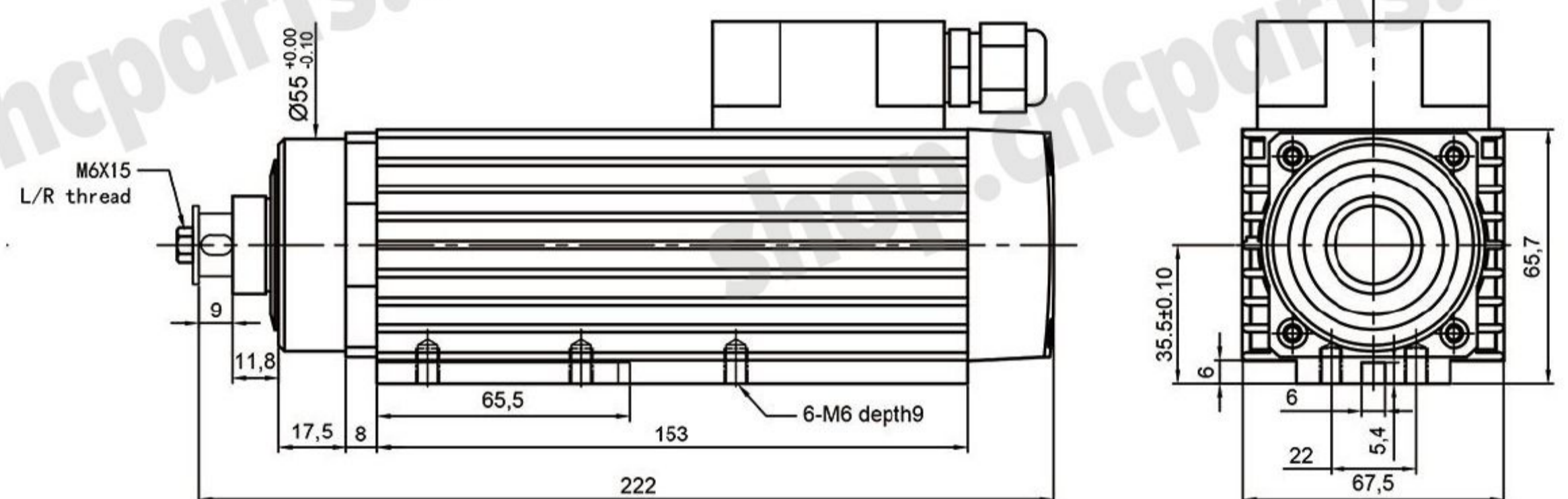
KW:0.75

RPM:12000

Hz:200

Volt:220/380

AMP:3.0/1.75



STFB40-63-0.75-B

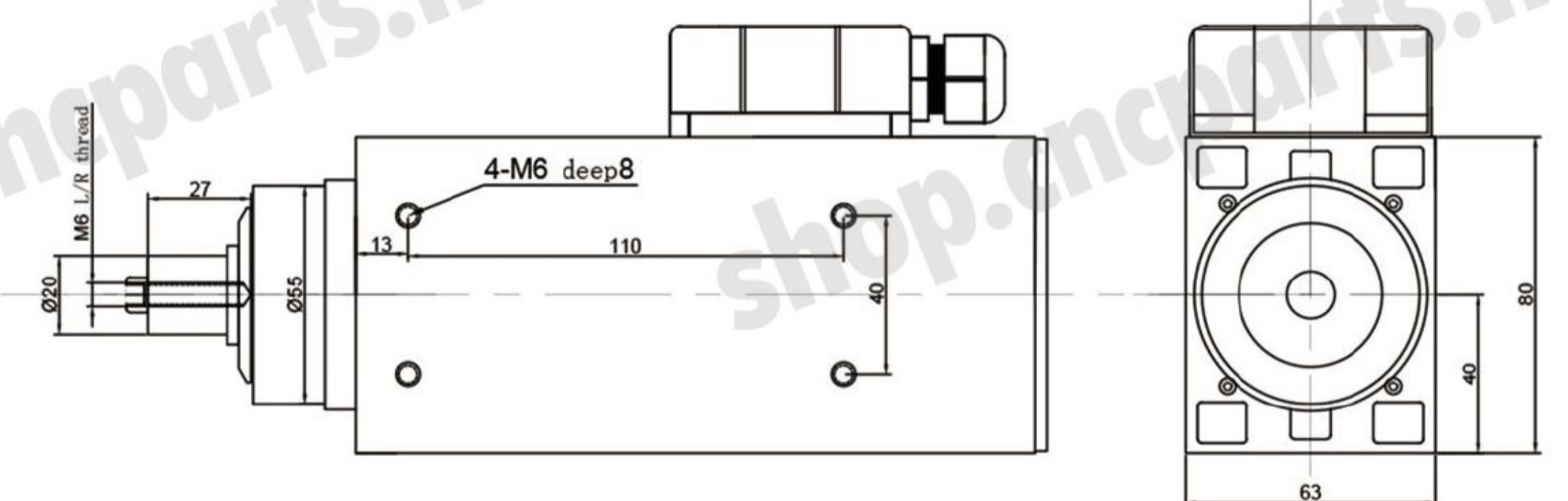
KW:0.75

RPM:12000

Hz:200

Volt:220/380

AMP:3.0/1.75



STFB40-63-0.75-C

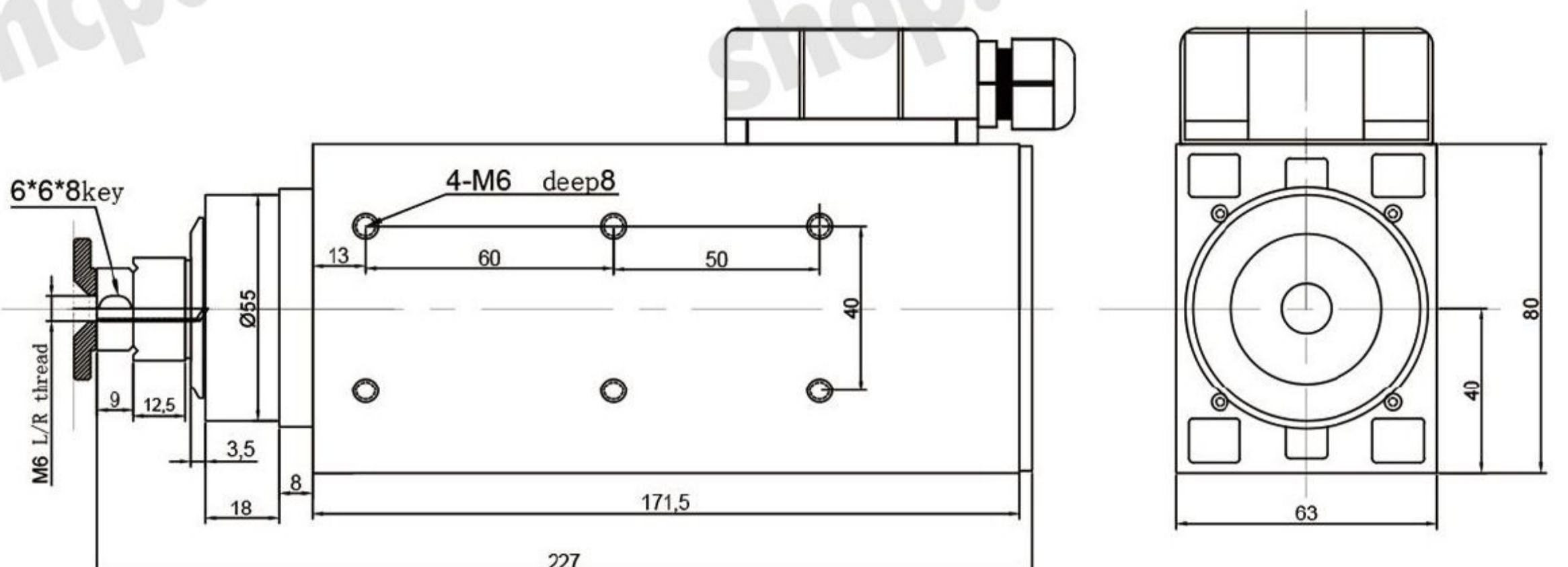
KW:0.75

RPM:12000

Hz:200

Volt:220/380

AMP:3.0/1.75





PRODUCTS

■ Application

Milling, Engraving, Drilling in all kinds of CNC machine.

■ Characteristics

1. Spindle Motor Customized—WHD can supply Spindle Motors Customized as per different customers' requirements.
2. P4 grade angular contact bearings or ceramic ball bearings are used. With such bearings, the strength and stiffness of electric spindles are greatly improved. It can provide strong support for high efficiency and high precision processing of CNC.
3. High precision dynamic balancing testing is conducted on all rotatable parts, with the tolerance value of less than G0.4.
4. The airtight shaft bracket made of extruded aluminum raises the protection class of electric spindles to be IP50 and protects internal parts from the threat of dust.

STX49-55-2.2-JXH-A

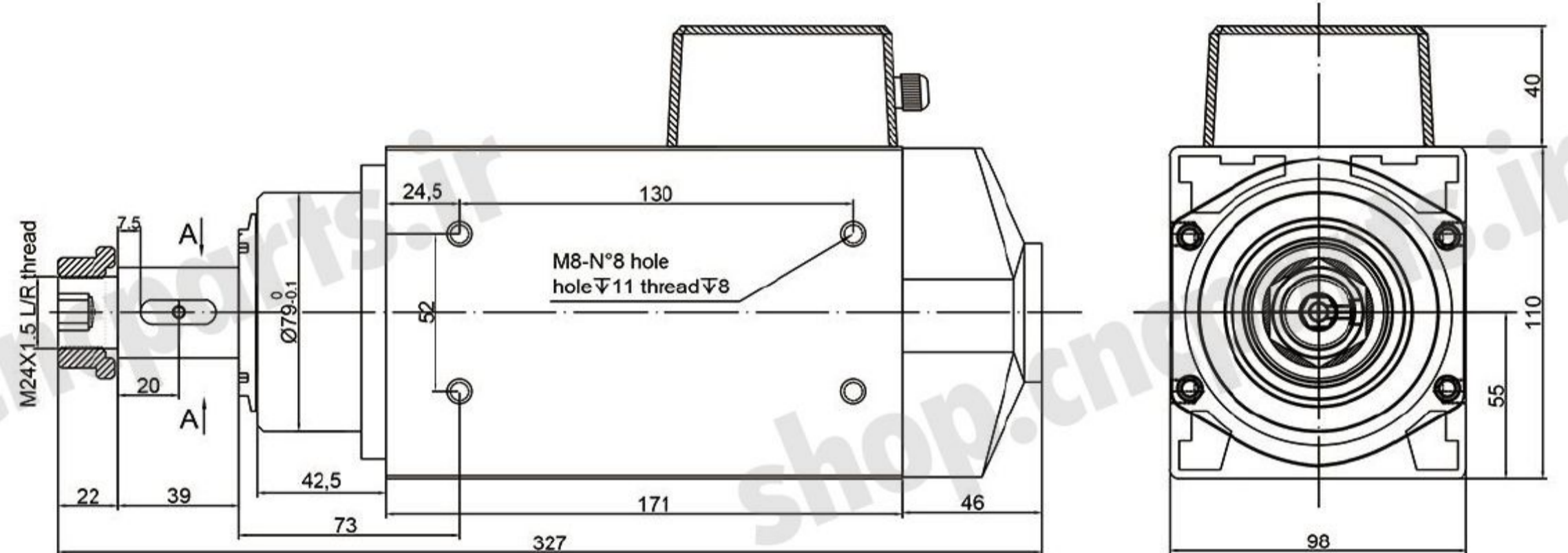
KW:2.2

RPM:12000

Hz:200

Volt:220/380

AMP:9.7/5.6



STX70-123-3.0

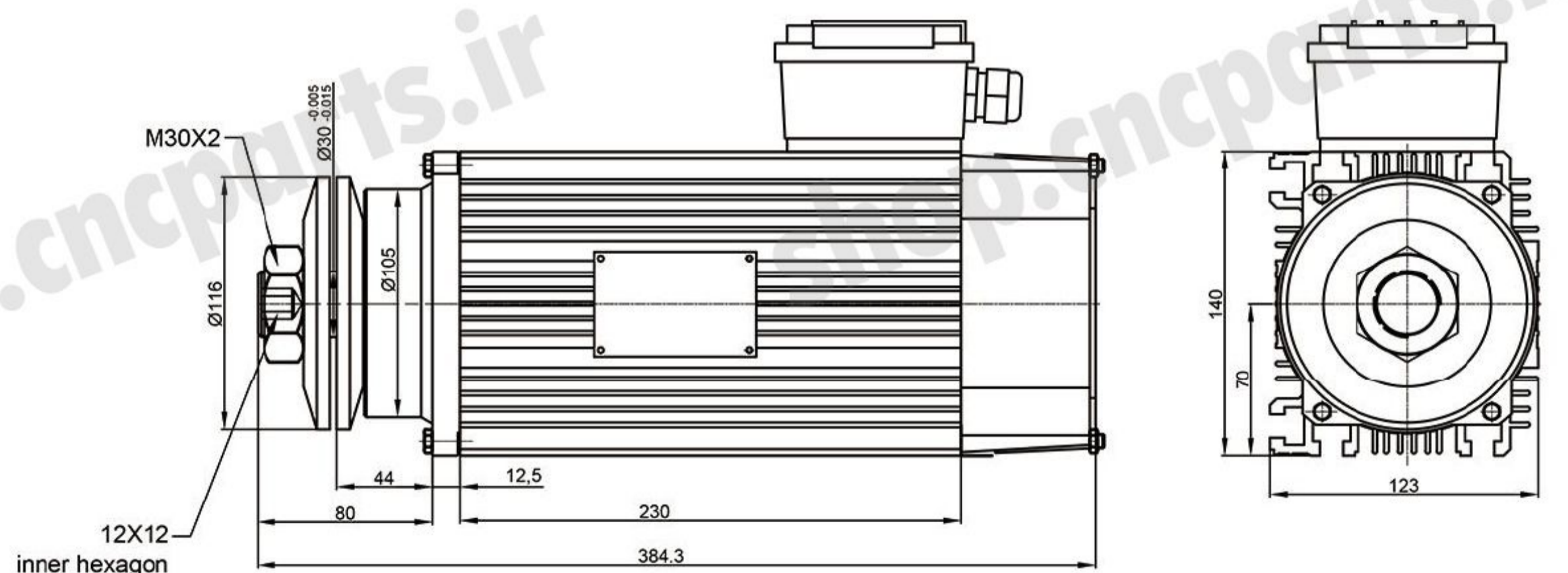
KW:3.0

RPM:3000

Hz:50

Volt:220/380

AMP:12.5/7.1





STX125-5.5-ER32x2

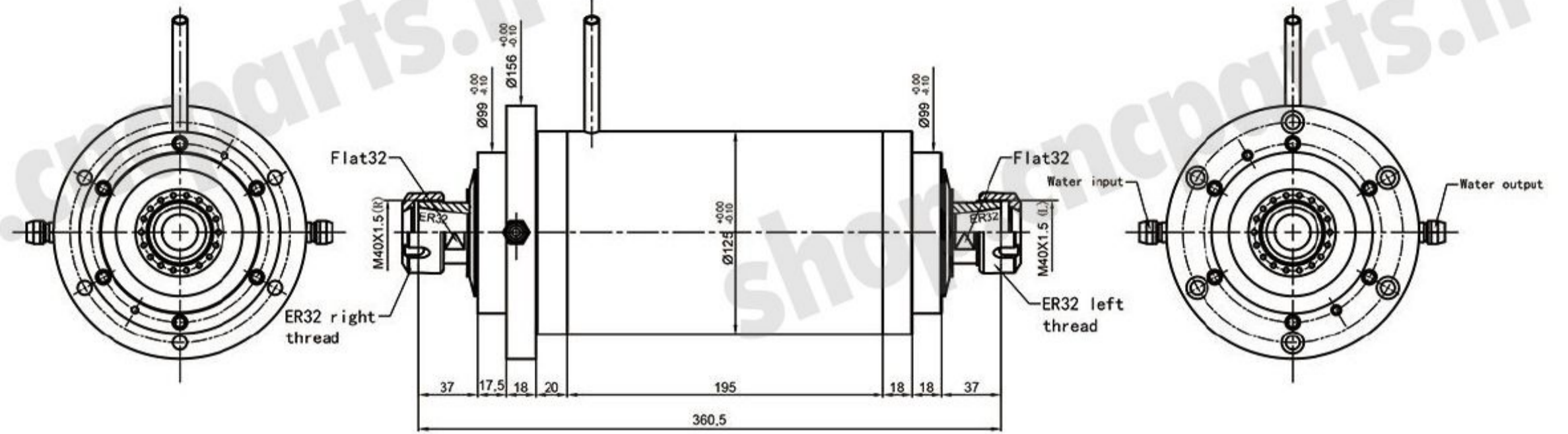
KW:5.5

RPM:18000

Hz:300

Volt:380

AMP:12.2



STX68-120-5.5-φ32

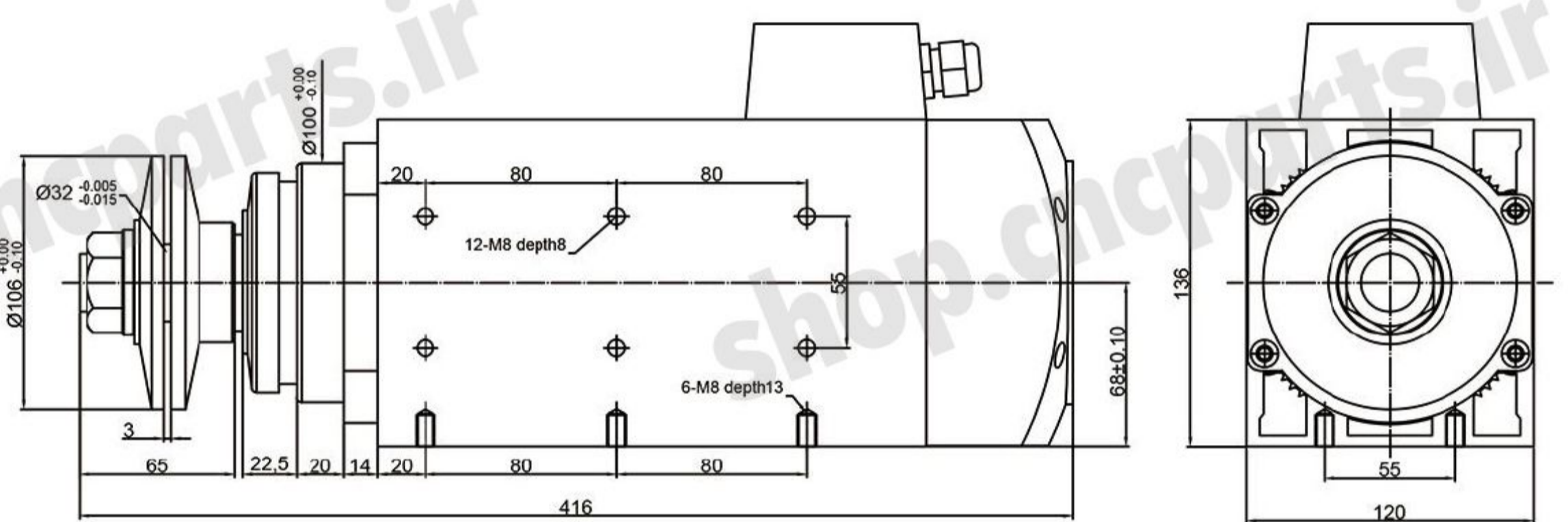
KW:5.5

RPM:9000

Hz:150

Volt:220/380

AMP:22/12.4



STX72-9.0-ER32

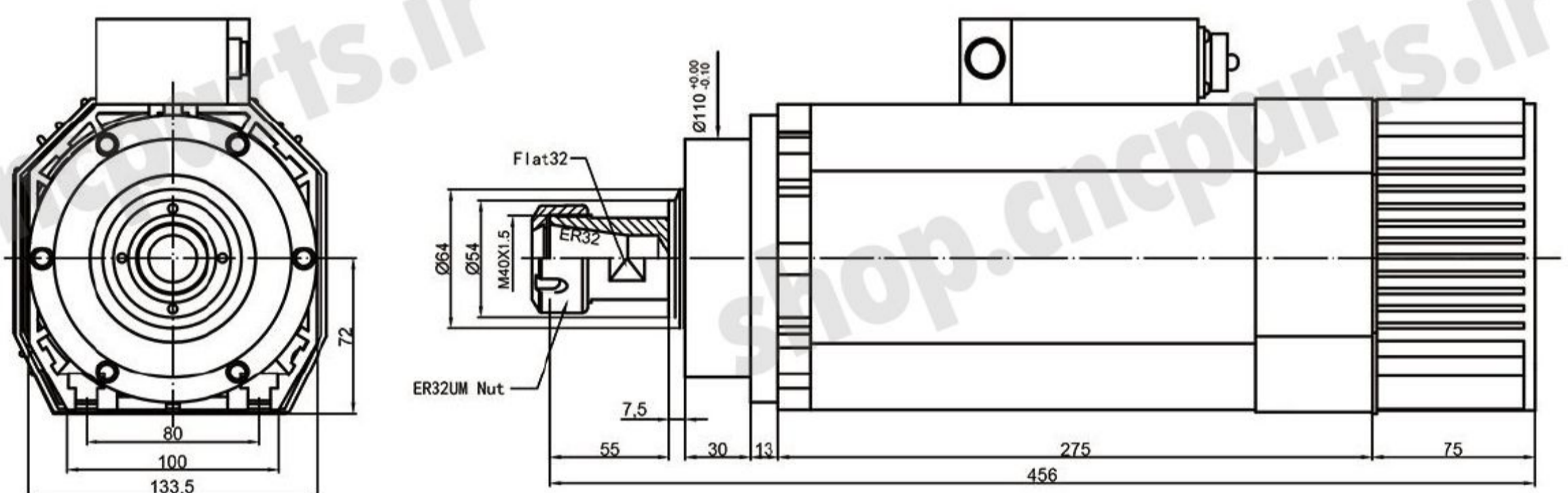
KW:9.0

RPM:24000

Hz:800

Volt:380

AMP:17.8



STX120-0.2

KW:0.2

RPM:3000-4500

Hz:50-75

Volt:380

AMP:1.2

